



T E X A S

F L U O R E S C E N T S

# model VPC/VPW

LED Vaporproof Lighting

## FEATURES

Ideal for parking lots, warehouse, farm, residential areas, walkways, underpasses, gas station, factory, loading docks and so on.

## SPECIFICATIONS

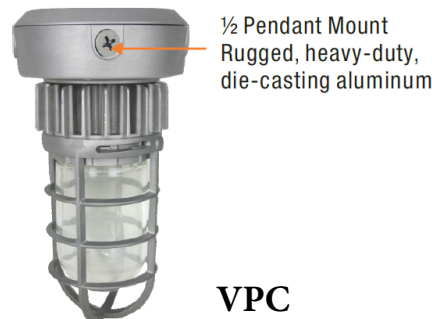
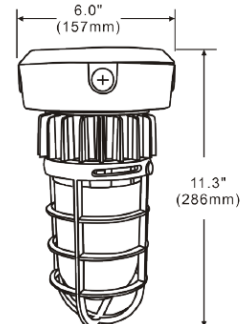
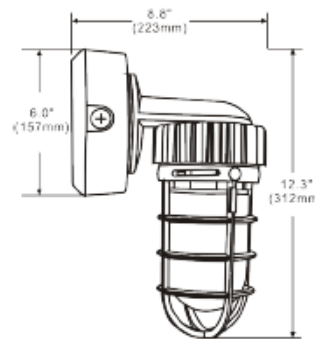
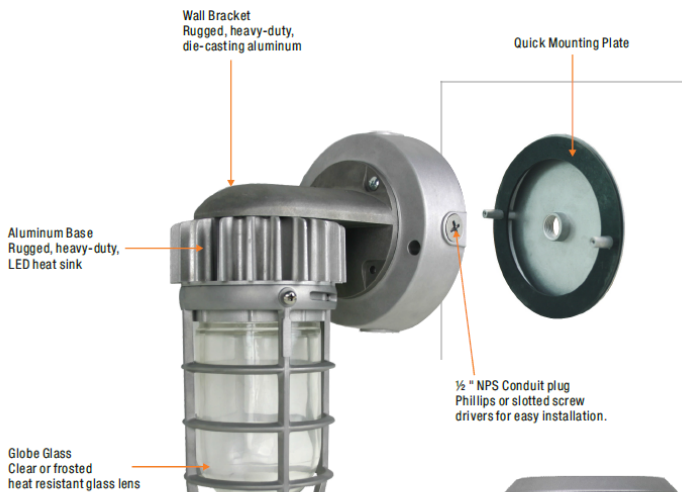
- \* Die cast housing
- \* UL listed / CUL listed
- \* Input voltage: 120V AC
- \* Highest quality long life LEDs
- \* Low Tj for long life, low lumen depreciation
- \* LED power — 17Watts
- \* Lumens — approx. 900
- \* Low starting temp -30 C
- \* Color temperature — 5000K



Powered by **CREE**™ LEDs



## DIMENSIONS



**VPW**

## ORDERING INFORMATION

EX:VPC17W900LMV50KSN

Series	Wattage	Lumen	Driver	Color Temperture	Finish
VPC	17W - 17 Wattage	900L - 900 Lumen	MV - 120-277V	50K - 5000K	SN - Satin Nickel
VPW	17W - 17 Wattage	900L - 900 Lumen	MV - 120-277V	50K - 5000K	SN - Satin Nickel

Texas Fluorescents  
 2055 Luna Rd. Suite 142 Carrollton, TX 75006  
 Phone: 972-247-3171 Fax: 972-247-0200  
 www.texasfluorescents.com email: sales@texasfluorescents.com

Catalog Number:
Notes: