

Catalog #:
Project:
Type:

SLMP - Slim, Seamless T5 Premium Strip

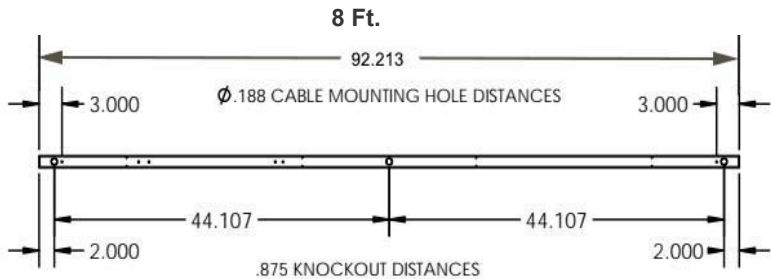
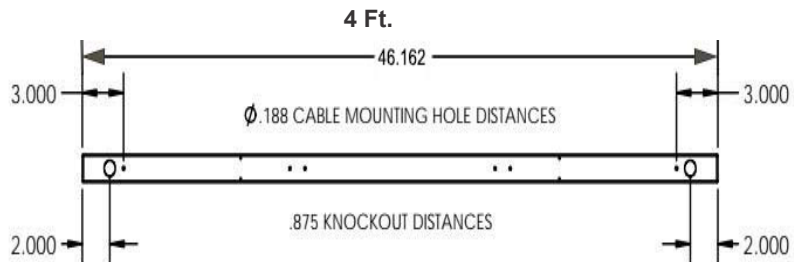
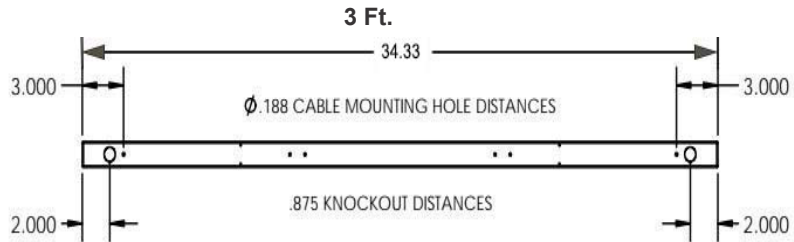
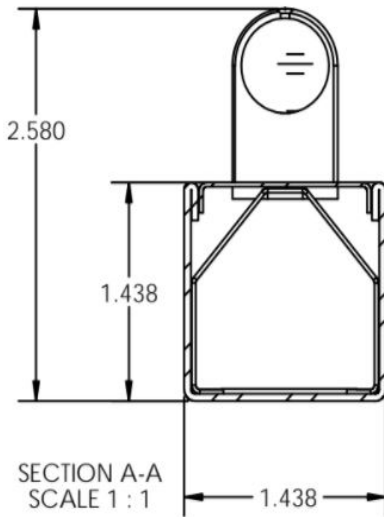
For a fluorescent T5 strip that is clean, simple and miniature in size, then this fixture is ideal. Fully assembled housing is formed and welded in steel and powder coated for the clean appearance. Matte white is standard finish with a variety of available finishes included black, silver, bronze and other powder coat finishes. Available for standard or HO T5 lamps in nominal 2, 3 and 4 feet. Also available in tandem lengths and continuous runs.

FEATURES & BENEFITS

- Knockout in the back and mounting holes for surface and pendant cable kit
- Consult for optional reflectors, dimming and emergency options.
- Available for LED T5 lamps as well, both single ended and double ended or Plug and Play LED T5 lamps that work in conjunction with fluorescent ballasts.
- Made in USA
- UL Listed for Dry and Damp locations

CONSTRUCTION

Fully assembled housing is formed and welded in steel and powder coated in a variety of finishes. Knock out on back and mounting holes.



We reserve the right to change design, materials, LEDs and finish in any way that will not alter installed appearance or reduce function and performance.

Catalog #:
Project:
Type:

SLMP - Slim, Seamless T5 Premium Strip

Series	Lamp Count - Lamp Type - Tandem Code*			Ballasts	Options
SLMP Slim, Seamless T5 Premium Strip	1	14	14W T5 Fixture Length = 21.62"	MV Electronic Multi volt	HC301WH Cable mounting kit
	1	21	21W T5 Fixture Length = 33.38"	X1 LED Single ended	HC302WH Cable mounting kit
	1	28	8 28W T5 Fixture Length = 42.25" 35W (8ft. tandem 2 lamp positions total)	X2 LED Double ended	
	1	35	35W T5 Fixture Length = 57.12"	lamps bypass	
	1	24	24W T5HO Fixture Length = 21.62"	lamps bypass	
	1	39	39W T5HO Fixture Length = 33.38"		
	1	54	8 54W T5HO Fixture Length = 45.25" (8ft. tandem 2 lamp positions total)		
	1	80	80 T5HO Fixture Length = 57.12"		

* Tandem doubles length and lamp count. Same lamps in cross section, additional lamps end to end
Tandems not stocked. Contact factory for availability

We reserve the right to change design, materials, LEDs and finish in any way that will not alter installed appearance or reduce function and performance.

Texas Fluorescents

2055 Luna Rd. Suite 142 Carrollton, TX 75006 || Phone: 972-247-3171 || Fax: 972-247-0200
www.texasfluorescents.com email: sales@texasfluorescents.com

REV. 12/07/2017