

6" LED Recessed Downlight Kit



Key Features & Benefits

- Lumen package: 900 lumens @ 13 watts
- Replacement for up to 100W incandescent lamps
- Fits into most 6" recessed downlight fixtures
- CCT: 2700K/3000K/3500K/4000K
- CRI: 83
- Dimmable down to 10%
- 50,000 hour life (L70)
- Suitable for indoor and outdoor dry, damp and wet locations
- Reduces energy consumption up to 87%
- 120V input voltage
- Lasts up to 25 times longer than incandescent lamps
- No warm-up time, instant-on with full light output and stable lamp to lamp color
- Meets California Title 24 fixture requirements for high efficacy luminaire
- Integrated white trim and white reflector, medium base socket adaptor included for direct replacement

The 6" LED recessed downlight kit creates high performing white light and is optimized for new construction and retrofit applications. Installation is done quickly and easily in most standard six-inch Insulated Ceiling (IC) housings, Airtight (AT) housings and non-IC housings.

Dimming

The 6" LED recessed downlight kit is dimmable to 10% with standard 120V electronic low voltage dimmers (recommended), incandescent or magnetic low voltage dimmers. In some cases, standard incandescent dimmers require a minimum load of typically >40 watts on the circuit for full range dimming performance (four LED modules). For dimming with digital (smart) multi-location dimmers or when dimming fewer than four LED modules, electronic low-voltage (ELV) dimmers are required (some ELV dimmers need a neutral connection in the wallbox).

Quality of Light

The 6" LED recessed downlight kit provides excellent color rendering (83 CRI), and a selection of color temperatures (2700K, 3000K, 3500K and 4000K). LEDs have virtually no UV or infrared radiation to damage or fade furnishings, art or other objects.

Optical Design

Optical design efficiently directs light output in an 80° beam angle with low glare.

Accessories

Assorted color retrofit trims, GU24 socket adaptor, push wire adaptor, retrofit band.

Product Offering

| Lumen Output | Wattage | Color Temperature | CRI |
|--------------|---------|----------------------------|-----|
| 900 | 13 | 2700K, 3000K, 3500K, 4000K | 83 |

Application Information

Applications

- Healthcare
- Hospitality
- Office
- Property Management
- Residential
- Retail

Specifications and Certifications



This light source meets restrictions on hazardous substances.



Specification Data

| | |
|-------------|------|
| Catalog # | Type |
| Project | |
| Comments | |
| Prepared by | |

Specifications

Energy Data

Minimum Starting Temp: -4°F (-20°C)
EMI/RFI: FCC Title 47 CFR, Part 15, Class B
Sound Rating: <24dBA
Input Voltage: 120V
Power Factor: >0.90
Input Frequency: 60Hz

THD: <20%
Input Power: 13W
Input Current: 0.1A
Maximum Ambient Operating Temperature (Insulated Ceiling or Non-Insulated Ceiling): 104°F (40°C)

Lighting Data

Lumen Output: 900
Lumens per Watt: 69

Color

Correlated Color Temperature (CCT): 2700K, 3000K, 3500K & 4000K
Color Rendering Index (CRI): 83
R9: 15

Ordering Information

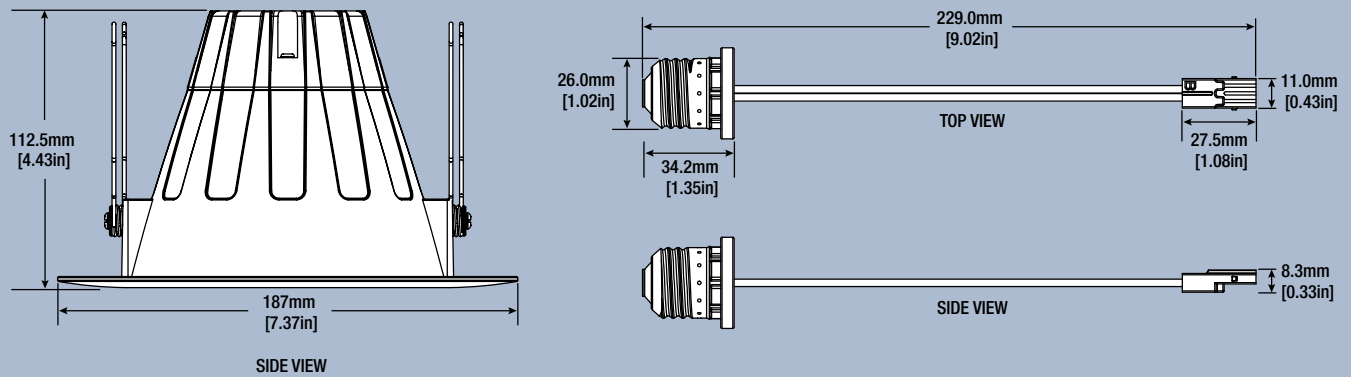
| Item Number | Ordering Abbreviation | Recessed Housing | Replaced Incandescent Wattage | Nominal Wattage (W) | Delivered Light Output (lm) | Color Temperature | CRI | Avg. Rated Life (hrs)* |
|-------------|--------------------------|------------------|-------------------------------|---------------------|-----------------------------|-------------------|-----|------------------------|
| 72396 | LED/RT6/900/827/FL80/OEM | 6 in. | 100W | 13 | 900 | 2700K | 83 | 50,000 |
| 72329 | LED/RT6/900/830/FL80/OEM | 6 in. | 100W | 13 | 900 | 3000K | 83 | 50,000 |
| 72330 | LED/RT6/900/835/FL80/OEM | 6 in. | 100W | 13 | 900 | 3500K | 83 | 50,000 |
| 72331 | LED/RT6/900/840/FL80/OEM | 6 in. | 100W | 13 | 900 | 4000K | 83 | 50,000 |

* LED lamp life is defined as the number of hours when 50% of an average group of identical lamps reached 70% of its initial lumens.

Ordering Guide

| LED | / | RT6 | / | 900 | / | 8 | / | 30 | / | FL | / | 80 | / | OEM |
|-----|---|--|---|-----------------------|---|---------|---|-------------------------------|---|-------|---|-------------------|---|-----------|
| LED | | Product Name RT6 6=fits 6" housing | | Light Output 900lm | | CRI >80 | | Color Temperature 3000K | | Flood | | Beam Angle 80° | | Packaging |

Assembly Diagram



Accessories

GU24 Socket Adaptor

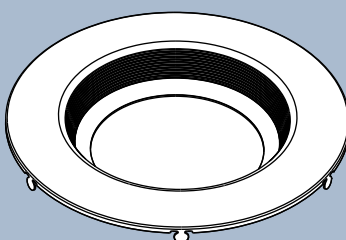
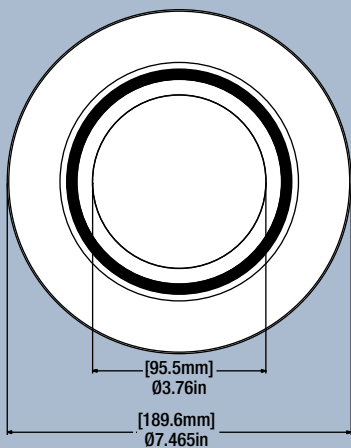
75105 LED/ADAPTOR/GU24 (sold separately)

Push Wire Adaptor

75107 LED/ADAPTOR/PUSHWIRE (sold separately)

Retrofit Trim

| | | |
|-------|--------------------|--|
| 70708 | RT6/TRIM/BLK | One Tone: Black Trim & Black Reflector |
| 70709 | RT6/TRIM/ORBZ | One Tone: Bronze Trim & Bronze Reflector |
| 70710 | RT6/TRIM/SN | One Tone: Satin Nickel Trim & Satin Nickel Reflector |
| 70711 | RT6/TRIM/BLKBaffle | Two Tone: White Trim & Black Baffle Reflector |
| 70712 | RT6/TRIM/WHTBaffle | Two Tone: White Trim & White Baffle Reflector |
| 70715 | RT6/TRIM/ALZAK | Two Tone: White Trim & Alzak Reflector |



70708



70711



70709



70712



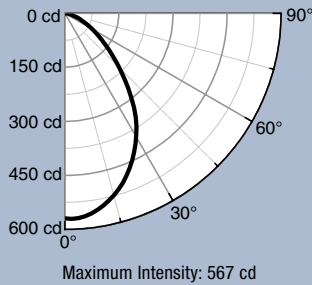
70710



70715

Photometric Information

Polar Chart



Zonal Lumen Distribution

| Zone | Lumens | % Fixture |
|--------|--------|-----------|
| 0-30 | 393.6 | 43.2 |
| 0-40 | 589.4 | 64.7 |
| 0-60 | 828.9 | 91.0 |
| 60-90 | 81.7 | 9.0 |
| 0-90 | 910.6 | 100.0 |
| 90-180 | 0.0 | 0.0 |
| 0-180 | 910.6 | 100.0 |

Illuminance at Distance

| | Illuminance | | Beam Diameter | |
|-------|-------------|----------|---------------|---------|
| | Edge | Center | V | H |
| 2 ft | 35.0 fc | 141.8 fc | 3.1 ft | 3.1 ft |
| 4 ft | 8.8 fc | 35.4 fc | 6.2 ft | 6.1 ft |
| 6 ft | 3.9 fc | 15.8 fc | 9.3 ft | 9.2 ft |
| 8 ft | 2.2 fc | 8.9 fc | 12.4 ft | 12.3 ft |
| 10 ft | 1.4 fc | 5.7 fc | 15.5 ft | 15.4 ft |
| 12 ft | 1.0 fc | 3.9 fc | 18.6 ft | 18.4 ft |

Vert. Spread: 75.5°

Horiz. Spread: 75.1°

Spacing to Mounting Height Ratio

| | |
|-----------------------------|------|
| Spacing Criteria (0-180°) | 1.02 |
| Spacing Criteria (90-270°) | 1.04 |
| Spacing Criteria (Diagonal) | 1.10 |

Application Information

Application Notes

1. Operating temperature range between -4°F and 104°F (-20°C and 40°C).
2. Suitable for indoor and outdoor dry, damp and wet locations.
3. Suitable for dimmers or in housings controlled by a dimmer. For a list of compatible dimmers, please refer to www.sylvania.com/RT6.
4. Not intended for use with emergency light fixtures or exit lights.
5. For use in housings that can structurally support a lamp weighing one pound.
6. For detailed warranty information, please refer to www.sylvania.com/RT6.

United States

OSRAM SYLVANIA
100 Endicott Street
Danvers, MA 01923
1-800-LIGHTBULB

Trade

Phone: 800-255-5042
Fax: 800-255-5043

National Accounts

Phone: 800-562-4671
Fax: 800-562-4674

OEM/Special Markets

Phone: 800-762-7191
Fax: 800-762-7192

Retail

Phone: 800-842-7010
Fax: 800-842-7011

SYLVANIA Lighting Services

Phone: 800-323-0572
Fax: 800-537-0784

Display/Optic

Phone: 888-677-2627
Fax: 855-543-1043

Canada

OSRAM SYLVANIA LTD.
2001 Drew Road
Mississauga, ON L5S 1S4
1-800-LIGHTBULB

Trade

Phone: 800-263-2852
Fax: 800-667-6772

OEM/Special Markets/Display/Optic

Phone: 800-265-2852
Fax: 800-667-6772

Retail

Phone: 800-720-2852
Fax: 800-667-6772

SYLVANIA Lighting Services

Phone: 800-663-4268
Fax: 866-239-1278

Mexico

OSRAM MEXICO
Tultitlan/Edo de Mexico
Phone: 011-52-55-58-99-18-50

ENCELIUM® Products

United States

Phone: 201-508-1570
Fax: 201-508-1589

Canada

Phone: 905-731-7678
Fax: 905-731-1401

www.sylvania.com

/sylvania

/sylvania