

RMR-16 Semi-Recessed MR-16 Emergency Unit



Project:	
Type:	
Catalog #:	



STANDARD



OPTIONAL



ILLUMINATION

- Two fully adjustable ultra bright, round, 7W, MR-16 halogen lamp heads standard.
- Optional 3.3W white LED lamp heads.

ELECTRICAL

- Dual 120/277 voltage.
- Charge rate/power "ON" LED indicator light and push-to-test switch for mandated code compliance testing.
- LVD (low voltage disconnect) prevents battery from deep discharge.
- 6V maintenance-free, rechargeable sealed lead acid battery.
- Internal solid-state transfer switch automatically connects the internal battery to lamp heads for minimum 90-minute emergency illumination.
- Fully automatic solid-state, two rate charger initiates battery charging to recharge a discharged battery in 24 hours.

MOUNTING

- Surface mount via easy connect back plate, which fits most standard junction boxes and snaps into place making internal electrical connections.
- Top and side knockout for conduit applications.
- Suitable for wall mount.

HOUSING

- Injection-molded, engineering grade, 5VA flame retardant, high-impact resistant, thermoplastic in white or black finish.

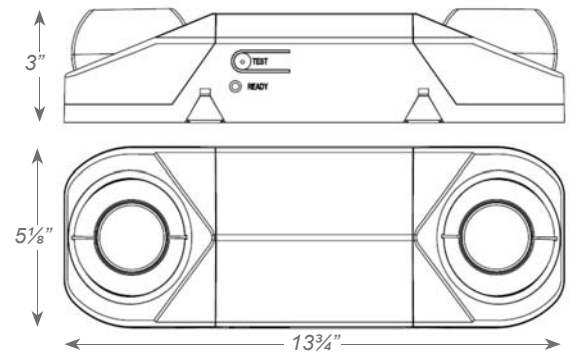
OPTIONS

- USA: Substantial transformation assembly in the U.S. complies with "Assembled in the USA" under the Buy American Act.
- LED: 3.3W high performance MR-16 base LED Lamps.

WARRANTY / LISTING

- Five year warranty on all electronics and housing. Battery pro rated for two years.
- Meets UL924, NFPA 101 Life Safety Code, NEC, OSHA, Local and State Codes.
- UL Listed for damp locations (20°C – 40°C).

DIMENSIONS



ORDERING INFORMATION

Special Voltage options available.
Check with your Best Lighting representative.

MODEL	HOUSING COLOR		OPTIONS	
RMR-16	Blank	White	LED	3.3W High Lumen White LED Lamp
	B	Black	USA	Assembled in USA

Sample Part Number: **RMR-16**

RMR-16 Semi-Recessed MR-16 Emergency Unit



Project:	
Type:	
Catalog #:	

ELECTRICAL INFORMATION

CATALOG NUMBER	INPUT WATTS (W)		INPUT AMPS (A)	
	120V	277V	120V	277V
RMR-16	4.2	5.2	0.039	0.021