

# R16HO Series

Remote Capable MR-16 Emergency Unit



**STANDARD**

**OPTIONAL**



## ILLUMINATION

- Two fully adjustable 5W, MR-16 halogen lamp heads standard.
- Optional 3.3W white LED lamp heads.

## ELECTRICAL

- Offers 10W of remote capacity (6V DC output) when using standard 5W halogen lamps and 13W of remote capacity (6V DC output) when using optional 3.3W LED lamps.
- Dual 120/277 voltage.
- Charge rate/power "ON" LED indicator light and push-to-test switch for mandated code compliance testing.
- LVD (low voltage disconnect) prevents battery from deep discharge.
- 6V maintenance-free, rechargeable sealed lead acid battery.
- Internal solid-state transfer switch automatically connects the internal battery to lamp heads for minimum 90-minute emergency illumination.
- Fully automatic solid-state, two rate charger initiates battery charging to recharge a discharged battery in 24 hours.

## MOUNTING

- Surface mount via easy connect back plate, which fits most standard junction boxes and snaps into place making internal electrical connections.
- Top and side knockout for conduit applications.
- Suitable for wall mount.

## HOUSING

- Injection-molded, engineering grade, 5VA flame retardant, high-impact resistant, thermoplastic in white or black finish.

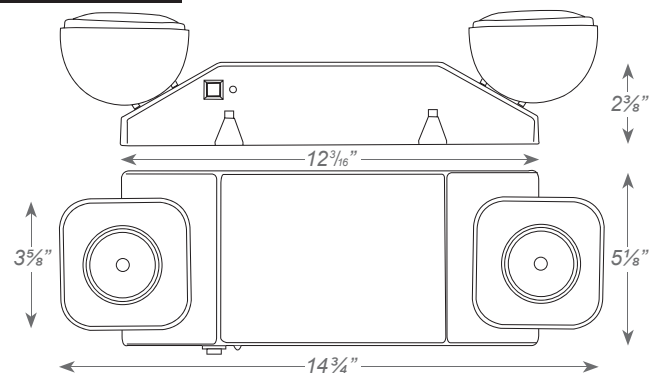
## OPTIONS

- SDT: Self-diagnostic feature performs monthly, biannual, and annual tests to ensure reliable operation and meet electrical and life safety codes.
- USA: Substantial transformation assembly in the U.S. complies with "Assembled in the USA" under the Buy American Act.
- LED: 3.3W high performance MR-16 base LED lamps.

## WARRANTY / LISTING

- Five year warranty on all electronics and housing. Battery pro rated for two years.
- Meets UL924, NFPA 101 Life Safety Code, NEC, OSHA, Local and State Codes.
- UL Listed for damp locations (20°C – 40°C).

## DIMENSIONS



## ORDERING INFORMATION

Sample Part Number: **R-16HO**

Special Voltage options available.  
Check with your Best Lighting representative.

MODEL	HOUSING COLOR		OPTIONS	
R-16HO	Blank	White	LED	3.3W High Lumen White LED Lamp
	B	Black	USA	Assembled in USA
			SDT	Self-Diagnostics

**Texas Fluorescents**

2055 Luna Rd., Suite 142 Carrollton, TX 75006  
Phone: 972-247-3171 Fax: 972-247-0200  
www.texasfluorescents.com email: sales@texasfluorescents.com

Catalog Number
Notes:



# R16HO Series

Remote Capable MR-16 Emergency Unit

## ELECTRICAL INFORMATION

CATALOG NUMBER	INPUT WATTS (W)		INPUT AMPS (A)	
	120V	277V	120V	277V
R-16HO	3.7	4.2	0.039	0.022
R-16HO-SDT	5.2	5.2	0.06	0.03

## REMOTE LAMP COMPATIBILITY

MODEL NUMBER	BATTERY	REMOTE CAPACITY	COMPATIBLE REMOTE HEAD FAMILY												
			RHLED			RH16LED	RH16		RH		RHR		SRH		SRHLED
			3.6V	9.6V	MV		6V	12V	6V	12V	6V	12V	6V	12V	
R-16HO	6V	10W			X	X	X		X		X		X		X
R-16HO-LED	6V	13W			X	X	X		X		X		X		X

**Texas Fluorescents**

2055 Luna Rd., Suite 142 Carrollton, TX 75006  
 Phone: 972-247-3171 Fax: 972-247-0200  
 www.texasfluorescents.com email: sales@texasfluorescents.com

Catalog Number
Notes: