

**Change your Linear Fluorescent Fixtures\* to LED simply by changing the lamps, no wiring or socket change.**

Philips InstantFit LED T8 Lamps use only 14.5 watts\*\* versus 32 watts and provides 1600 lumens.



**BENEFITS**

- Over 41% energy savings vs F32T8 electronic instant start systems
- No mercury allowing for non-hazardous waste disposal
- Emits virtually no UV rays or IR
- Glass-free for safer working conditions
- 4 year limited warranty (3)

**FEATURES**

- Instant on, no flicker or buzz
- Fits into existing linear fixtures
- Compatible with Instant Start ballasts eliminating the need for rewiring and allows fixture to maintain original UL compliance.

**APPLICATIONS**

- Full light output in spaces with temperatures down to -22°F (-30°C)
- Perfect for applications with frequent "on/off" switching cycles
- Buildings that desire to be mercury free

\*Refer to other sheet

\*\*Actual wattage will depend on fixture ballast

**ORDERING INFORMATION**

Order Code	Full Product Name	Color Code	Beam Angle	Approximate Lumens	Approx. MBCP	CRI	Rated Luminous Flux	Rated Beam Angle
NOR433060	14.5T8/48-3000 IF 10/1	830	160 D	1500 Lm	cd	80	1500 Lm	160 D
NOR433078	14.5T8/48-4000 IF 10/1	840	160 D	1600 Lm	cd	80	1600 Lm	160 D
NOR433086	14.5T8/48-5000 IF 10/1	850	160 D	1650 Lm	cd	80	1650 Lm	160 D
NOR433268	14.5T8/48-3500 IF 10/1	835	160 D	1500 Lm	cd	80	1500 Lm	160 D

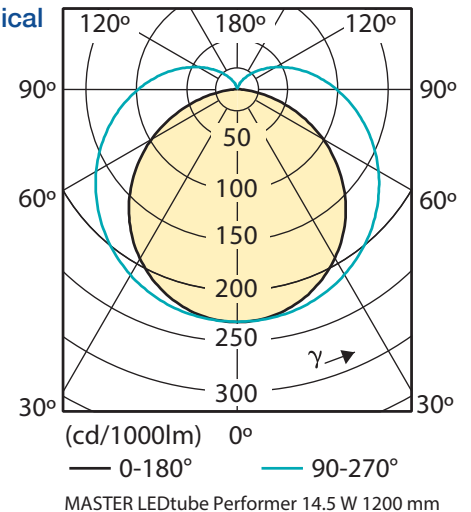
**Electrical Characteristics**

Order Code	Full Product Name	Wattage	Voltage	Line Frequency	Dimmable	Rated Wattage	Starting Time
NOR433060	14.5T8/48-3000 IF 10/1	14.5 W	100-240 V	50/60 Hz	No	14.5 W	0.5 (max) s
NOR433078	14.5T8/48-4000 IF 10/1	14.5 W	100-240 V	50/60 Hz	No	14.5 W	0.5 (max) s
NOR433086	14.5T8/48-5000 IF 10/1	14.5 W	100-240 V	50/60 Hz	No	14.5 W	0.5 (max) s
NOR433268	14.5T8/48-3500 IF 10/1	14.5 W	100-240 V	50/60 Hz	No	14.5 W	0.5 (max) s

**Temperature Characteristics**

Order Code	Full Product Name	T-Case Maximum	Operating Temperature	T-Storage
NOR433060	14.5T8/48-3000 IF 10/1	49 (max) C	-30 (min), 45 (max) C	-40 (min), 65 (max) C
NOR433078	14.5T8/48-4000 IF 10/1	49 (max) C	-30 (min), 45 (max) C	-40 (min), 65 (max) C
NOR433086	14.5T8/48-5000 IF 10/1	49 (max) C	-30 (min), 45 (max) C	-40 (min), 65 (max) C
NOR433268	14.5T8/48-3500 IF 10/1	49 (max) C	-30 (min), 45 (max) C	-40 (min), 65 (max) C

**Light Technical**



Catalog Number:
Notes: