

FEATURES & SPECIFICATIONS

INTENDED USE

6HELEDWLRUDGHPEDDERGMWULSIRUMJHEULWLEDDODSSOLEDWLRVVEK
 DVGDSODEDELHWVERVYHVDGRWKHUDUHDVZKHUHMSEHLDVDWDSUHPLE

SIZE W x L x H in inches (mm)

W L H
 1 1/2 48 1/2

MATERIALS & FEATURES

RMLDVGDLIRUPHGDGHPERVVHGERGHDDHVVHHOJLLVKDKLKL
 UHHEWDEHEDNHGZKLVHHDPPHODUNRENRWVDUHSURYLGHGREDEN
 VLGHDGHRGRIKRVLDODDOWERYHUVRUUHHEWRUVDWDEKZLVKRWVRORVR
 VLP SOLIEDOODVWDEEHV

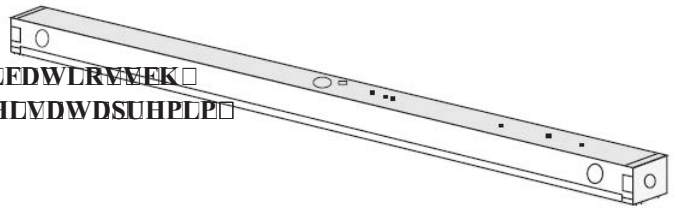
6OHWOHWKDGWDGHPHOKWUHVDYDEODEOH

HERRPLEDOZKLVHVVHHOUHHEWRUVIRUDEMLYHOREDWLRLKLSMIMHVDGERUGMHWVGHRSWLRSDDHDWVK

7ZRWOHVMPPHWULEDGDVPPHWULE

OSUHPLEPOOSHEODUPLUURUHGHUHEWRUVIRUPDPPHIEHFGHWDLOV

7ZRWOHVMPPHWULEDGDVPPHWULE



ORDERING INFORMATION

(DPSOHRKDS48LS28W2724LDMV40K

458

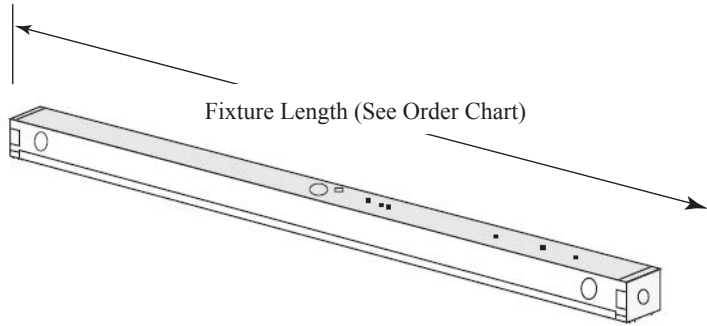
| | | | | | | | |
|--|---------|--|---|---|---|----------------------|-----------------------------|
| 4 | | 4 8 | | | BKT | 20I | |
| KDS 0LDRGUVLS with or without SEWRV | 48 L 48 | S28W2724L* S57W5448L** | 20 System Watts 2076 e i e r e d u m e n s 57 S W 5448 D L | | FMX 0 - 10T MX Ks l r i - 24 m l r 1 00T - 077T | 5K 1500I 2000I | WP C DVSURE ERUGSO |
| | | 8 TO PUBWBMBCMEOMEFOHUI 8 TO PUBWBMBCMEOMEFOHUI | Blank W3 0 W3 5 M2 0 M2 5 | IRSHHEWRU KLWVHVOUHHEWRUV/DGDUGORW KLWVHVOUHHEWRUMPPHWULE OUURUHGHUHEWRUV/DGDUGORW OUURUHGHUHEWRUMPPHWULE | | | |

| | | | | | | | |
|--|-------|--|---------------------------------------|---|--|------------------------|-----------------------------|
| 4 | | 2 76 | | | | 2 | |
| KDS 0LDRGUVLS with or without SEWRV | 48 48 | H40W3798L* H72 6994 ** | 40 System Watts 3798 72 6994 | | | 30K 35K 2 I I | 1 I 1 I 2 I I |
| | | 8 TO PUBWBMBCMEOMEFOHUI 8 TO PUBWBMBCMEOMEFOHUI | Blank W3 0 W3 5 M2 0 M2 5 | IRSHHEWRU KLWVHVOUHHEWRUV/DGDUGORW KLWVHVOUHHEWRUMPPHWULE | | | WP C DVSURE ERUGSO |

WRXPE
 Notes:

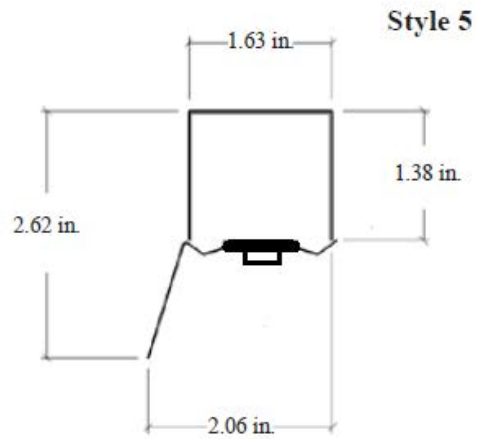
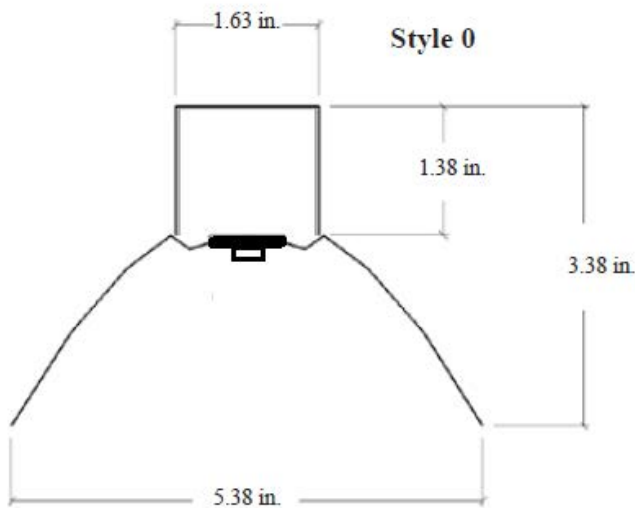
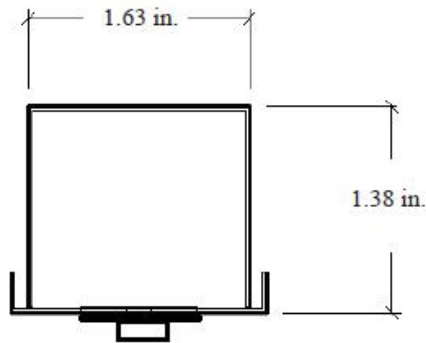
Series KDS

Mini Body Strip



DIMENSIONS

All dimensions are inches. Specifications subject to change without notice.



| |
|-----------------|
| Catalog Number: |
| Notes: |