

# ILI Series

2x2/2x4 LED/FLUOR

## FEATURES & SPECIFICATIONS

### INTENDED USE

The ILI22/ILI24 provides the look and feel of a fluorescent luminaire - subtle soft direct elements, interest and depth across the ceiling plane - with a contemporary look that blends with today's commercial spaces.

The frosted overlay lens combined with double cell nominal 2" spaly louver provides a low-brightness glow, with the effective combination of excellent light transmission and effective lamp obscuration.

### APPLICATIONS

For recessed commercial applications such as offices, hospitals, schools, etc. Suitable for use in standard 15/16" interted T-bar grid ceilings.

### FEATURES

- Employs a low profile troffer body
- Reflector distributes light through both optical elements
- Diffuser surround panels manage contrast and generate soft, even, higher angle luminance
- Linear arrayed LED modules provide soft but effective illumination



## SPECIFICATIONS

### HOUSING

Employs a low profile troffer body with white enamel finish

### DIRECT OPTICAL COMPONENT

High reflectance optical engine delivers main beam focus through the optically designed acrylic lens/louwer

### DIFFUSER SURROUND

Lumieo acrylic overlay manages the balance of efficiency and aesthetics. Double cell 2" spaly trim adds character to the optical assembly.

### REFLECTOR

High reflectance interior reflector

### LUMINAIRE TYPE

Recessed troffer fixture body assembly 2'x2' and 2'x4' size

### LIGHT SOURCE

- LED light engine includes 50 chip board and matched driver from LG Innotek;
- linear fluorescent options in T5, T5HO, T8 U-lamp lamps

| Item Number          | Dimensions (LxWxH)   | Lamping                             |
|----------------------|----------------------|-------------------------------------|
| ILI224MV             | 23.8" x 23.8" x 2.9" | 2-F24T5HO                           |
| ILI254MV             | 23.8" x 47.8" x 2.9" | 2-F54T5HO                           |
| ILI22L36W3500LDMV40K | 23.8" x 23.8" x 2.9" | 100 LEDS, 35.6W, 3510 Lumens, 4000K |
| ILI24L52W5550LDMV40K | 23.8" x 47.8" x 2.9" | 200 LEDS, 52W, 5567 Lumens, 4000K   |

# ILI Series

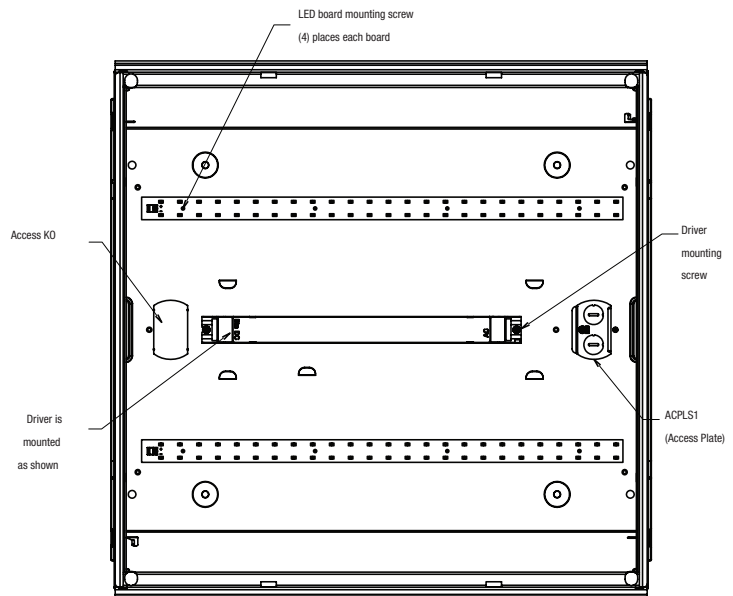
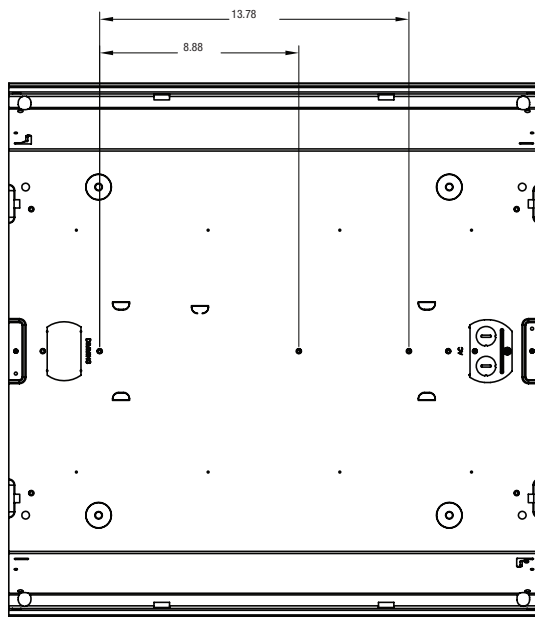
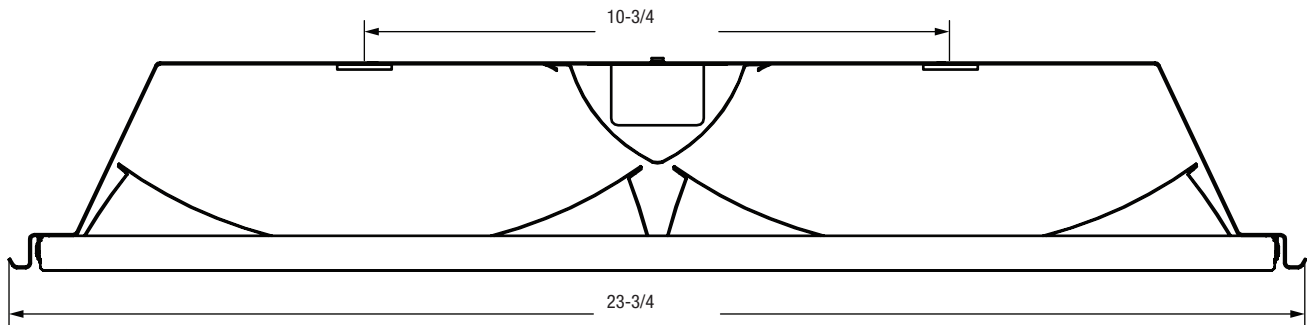
2x2/2x4 LED/FLUOR



T E X A S

F L U O R E S C E N T S

## END PROFILE



Texas Fluorescents  
2055 Luna Rd. Suite 142 Carrollton, TX 75006  
Phone: 972-247-3171 Fax: 972-247-0200  
www.texasfluorescents.com Email: sales@texasfluorescents.com

Catalog Number:

Notes:

# ILI Series

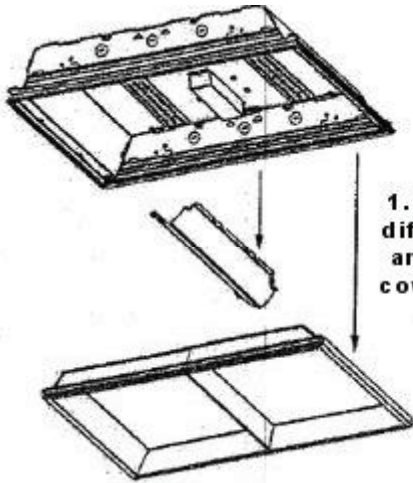
2x2/2x4 LED/FLUOR



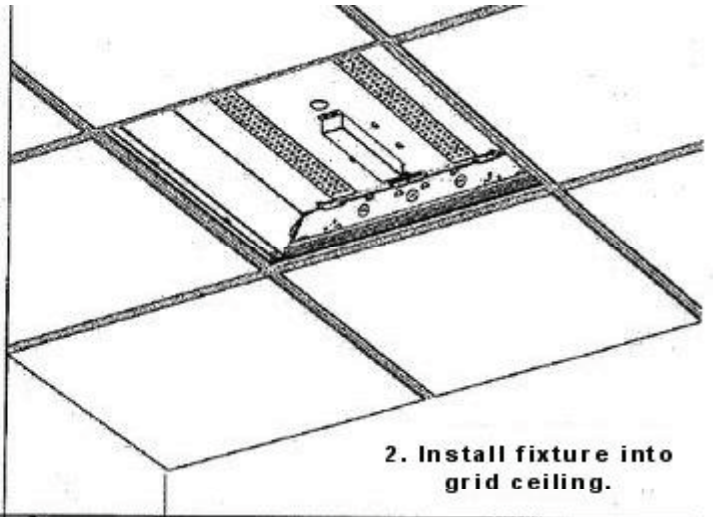
TEXAS

FLUORESCENTS

## LED Recessed 2' x 2' Troffer Installation Instructions

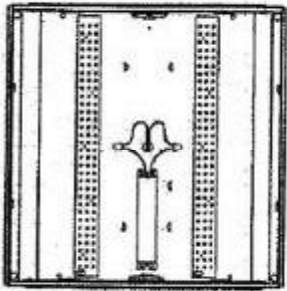


1. Remove louver/  
diffuser assembly  
and center driver  
cover from fixture.

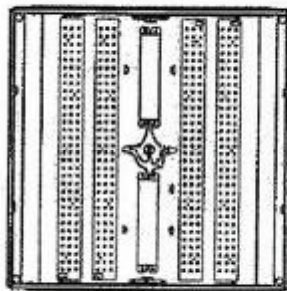


2. Install fixture into  
grid ceiling.

*Make sure power is turned off at the source  
to the troffer housing.*

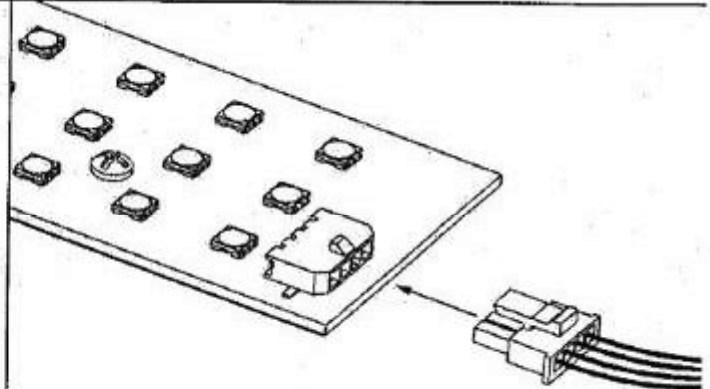


2 boards

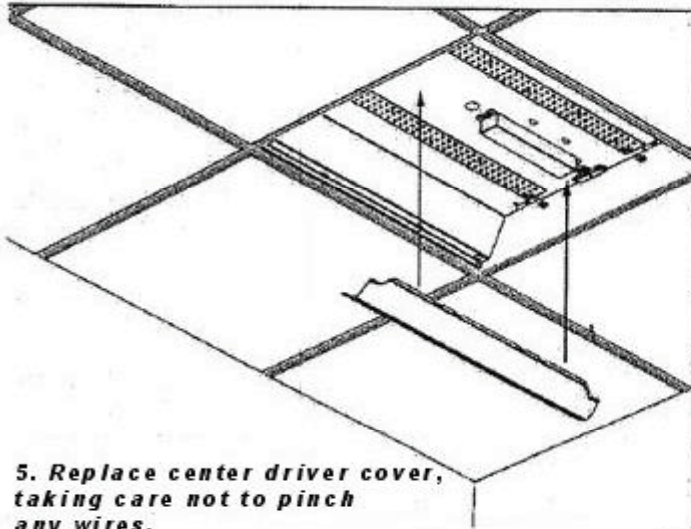


4 boards

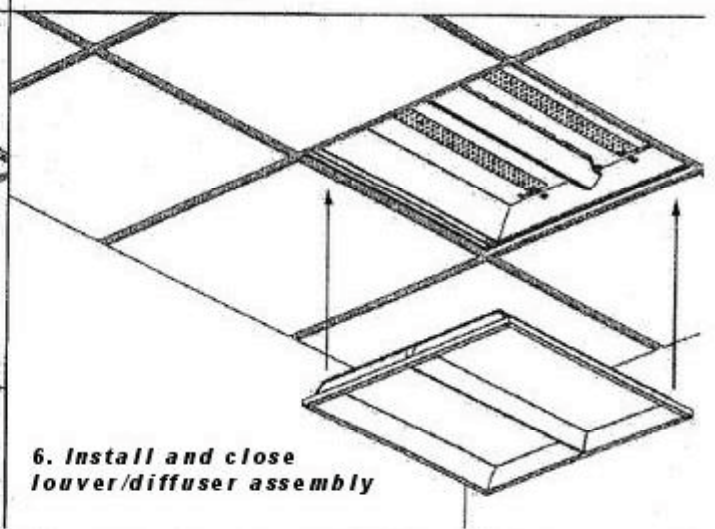
3. Bring electric power cord in through back of  
fixture. Using wire nuts, connect cord leads to  
LED driver input wires (black/white). Driver  
can be connected to 120-277V AC input.



4. Ensure all microconnectors are attached  
to LED circuit boards.



5. Replace center driver cover,  
taking care not to pinch  
any wires.



6. Install and close  
louver/diffuser assembly

7. Restore power to fixture at fuse or circuit breaker.

# ILI Series

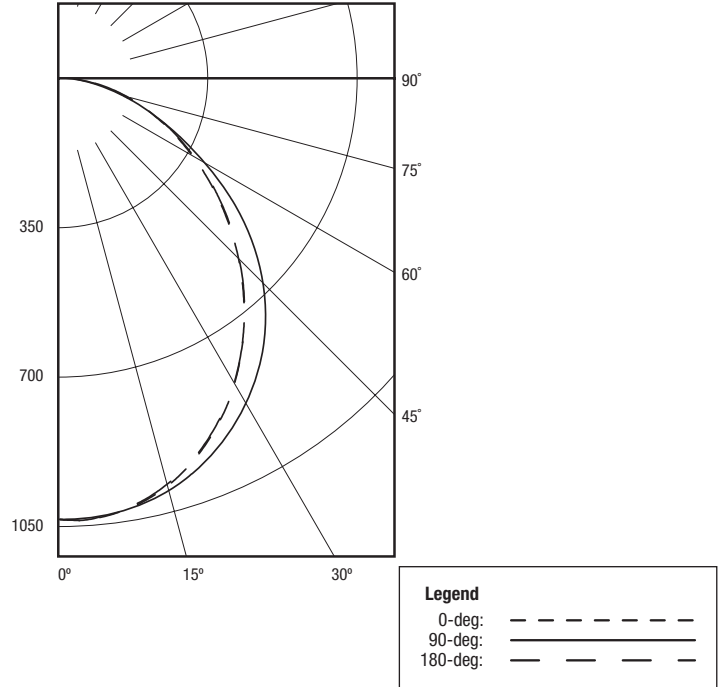
2x2/2x4 LED/FLUOR



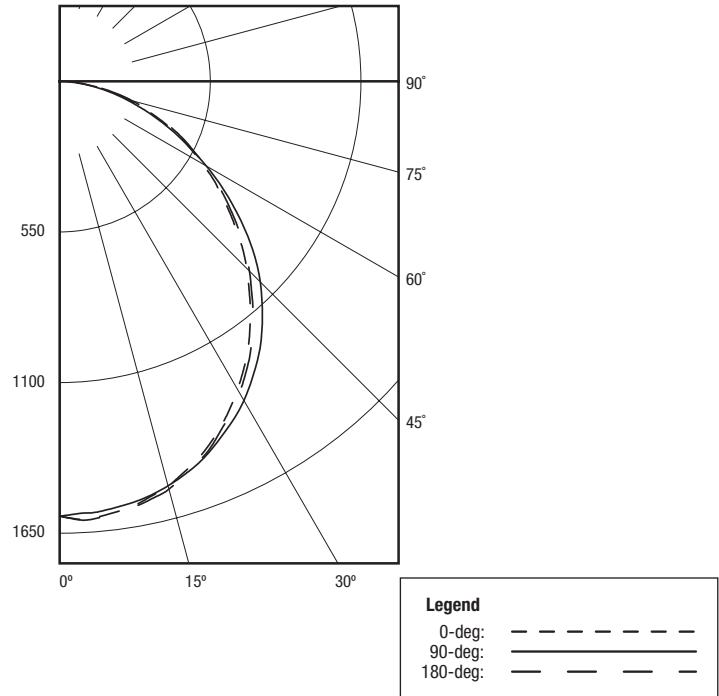
## LED light source and luminaire specifications

| ILI LED Troffer             |            |            |
|-----------------------------|------------|------------|
| Specification               | 2'x2'      | 2'x4'      |
| Input Wattage               | 35.6       | 52         |
| Delivered Lumens (lms)      | 3510       | 5567       |
| Efficacy (LpW)              | 98.6       | 107.1      |
| Color Rendering Index (CRI) | 84.3       | 84.4       |
| Color Temperature (CCT) k   | 3500, 4000 | 3500, 4000 |
| Minimum Ambient Temp (°F)   | -4         | -4         |
| Maximum Ambient Temp (°F)   | 158        | 158        |
| Dimming                     | 0-10v      | 0-10v      |
| Rated Life (L70)            | 50000      | 50000      |
| Warranty                    | 5 years    | 5 years    |
| Voltage (V)                 | 120-277v   | 120-277v   |
| Operating Frequency (Hz)    | 50/60      | 50/60      |
| UL                          | Yes        | Yes        |
| FCC                         | Compliant  | Compliant  |

### ILI 2x2 LG IT



### ILI 2x4 LG IT



|                 |
|-----------------|
| Catalog Number: |
| Notes:          |