

HOTWGL

Cufflink Wall

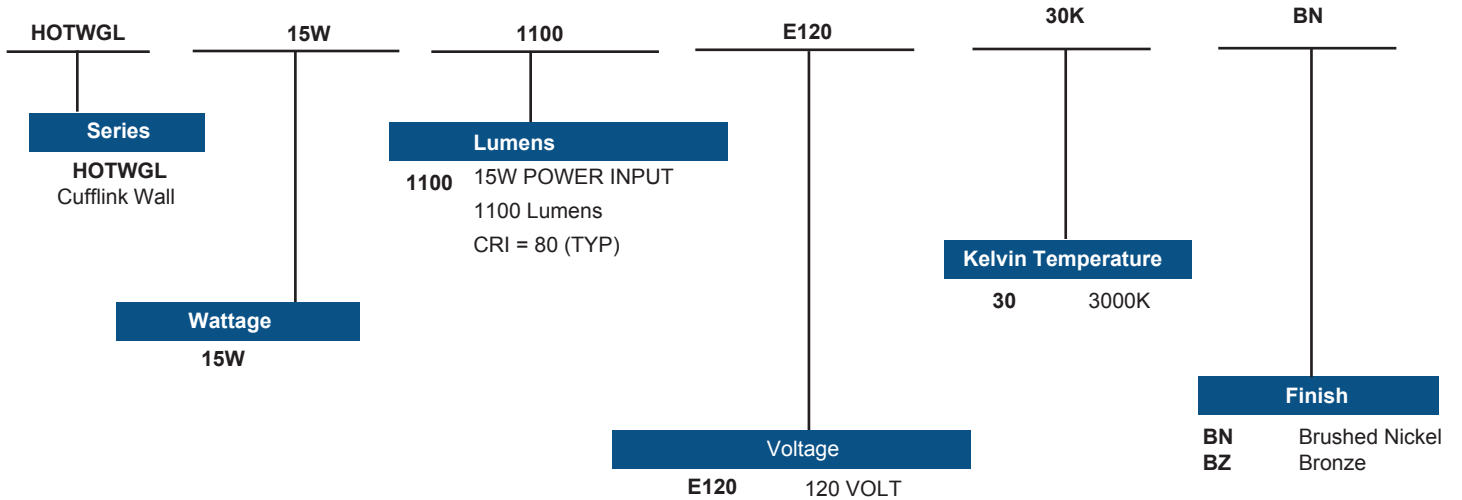
PROJECT:	
PART NO.:	FIXTURE TYPE.:

HOUSING: brushed nickel or bronze lens holders
DIFFUSER: Frosted Glass Diffuser
DRIVER: UL CLASS 2, POWER FACTOR > .90
LED: 8 CREE LED ARRAY (18W) EST. 50,000 HRS
SIZE: 15.75" x 10" x 2.9" (L x W x H)
LISTED: UL Listed for damp locations



ORDERING INFORMATION

Example:
HOTWGL15W1100LE12030KBN



NOTE: Specifications and dimensions subject to change without notice. Consult your Texas Fluorescent Lighting Representative for availability and ordering information.

