

HOTBD Series

Coordinated design in surface
fluorescent close-to-ceiling wall and vanity

HOUSING

Die-formed Cold-rolled Steel

DIFFUSER

Linear sided prismatic lens of extruded acrylic



EFFICACY

Meet California 2005 Title 24 Standard

CERTIFICATION

UL, cUL Listed, Energy Star Listed

SIZE

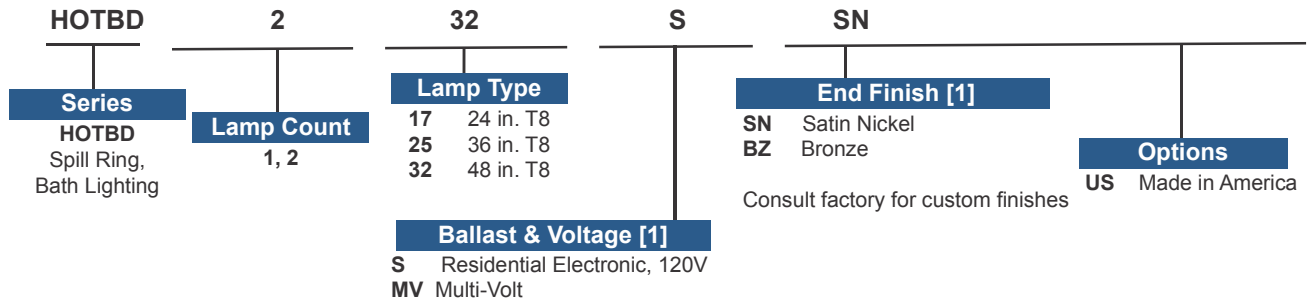
F17T8 - 24.75L x 6.0W x 4.25H

F25T8 - 36.75L x 6.0W x 4.25H

F32T8 - 48.60L x 6.0W x 4.25H

ORDERING INFORMATION

Example: HOTBD225SSN



LED VERSION

Item Number	Dimensions (L x W x H)	Lamping
HOTBD24L22W1200L50K	24.75" X 6" X 4.25"	22W, 1200 Lumens, 5000K
HOTBD36L31W1600L50K	36.75 " X 6" X 4.25"	31W, 1600 Lumens, 5000K
HOTBD48L48W2800L50K	48.6 " X 6" X 4.25"	48W, 2800 Lumens, 5000K

* CCT available in 3500k, 4000k, 5000k

NOTE: Specifications and dimensions subject to change without notice. Consult your Texas Fluorescent Lighting Representative for availability and ordering information.