

# HIS LED SERIES

## LED High Bay



### FEATURES & SPECIFICATIONS

The HIS High Bay is the lighting solution for a wide variety of applications. The ideal solution for industrial, commercial and other high bay applications.

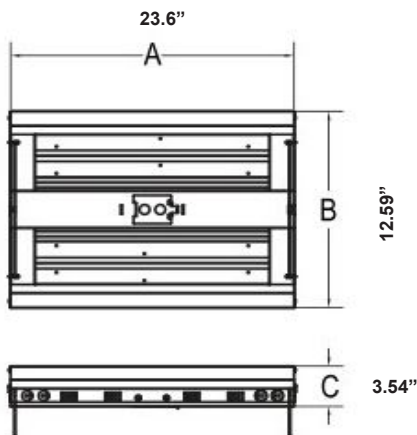
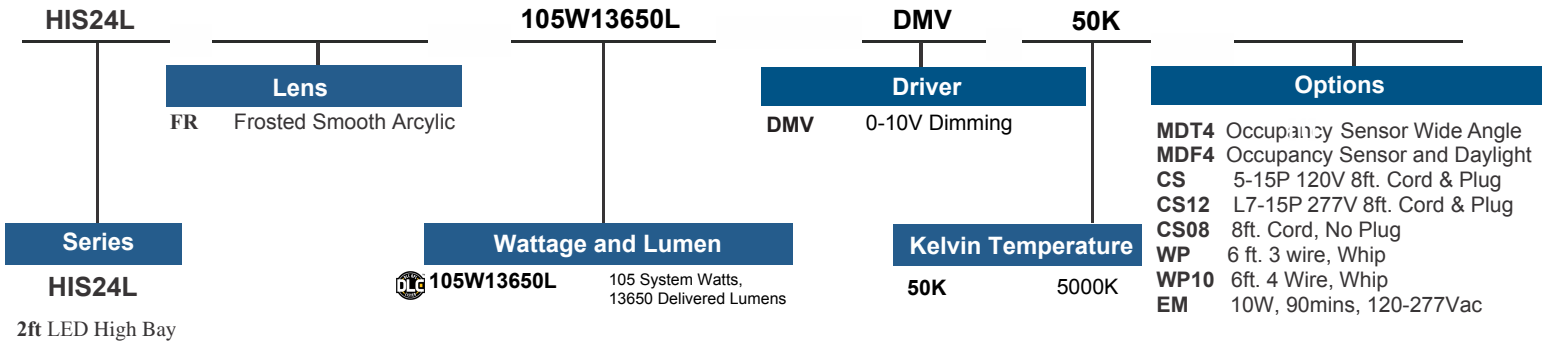
- High quality LED chips L<sub>70</sub> Life >54,000 hrs; L<sub>90</sub>=36,000 hrs.
- Full steel body for excellent rigidity
- Frosted lens
- 43.3" Hanging chains are included
- 1-10V dimming available
- Long life, high efficiency
- 10' 16/3 SJOT black cord included

### DIMENSIONS

SIZE L x W x H in inches  
23.6" x 12.59" x 3.54"



### EXAMPLE: HIS24LFR105W13650LDMV50



Dimensions and specifications subject to change without notice.

Catalog Number:
Notes: