

FEATURES & SPECIFICATIONS

INTENDED USE

High efficiency LED engineered for premium performance in medium and high ceiling applications ideally suited for warehouses, manufacturing plants, sports facilities and retail spaces. A precision-formed reflector system available in highly reflective mirrored reflector achieve maximum light output for ceilings from 15 feet to 40 feet. The unique arrangement is ideal for wide area lighting to put the light exactly where you need it with less fixtures. Based on ceiling height, these fixtures can replace an HID high bay using half of the wattage. Surface, pendant, chain or stem mounting. Highest quality materials and workmanship.

SIZE W x L x H in inches (mm)

12L - 11.80W x 21.50L x 2.00H

22L - 16.00W x 21.50L x 2.00H

24L - 11.80W x 43.00L x 2.00H

CONSTRUCTION

Housing is 22 gauge prepainted steel. Air vents surround the drivers in the back of the fixture to maximize LED and driver performance, reliability and life. High reflective mirrored reflectors are computer designed to maximize photometric performance and put the light where you need it. Access plate in the back makes wiring fast and hassle-free. Back of fixture is designed with built-in mounting holes for tong hanger, cable kit and surface mount.



MOUNTING

Chain hung with supplied tong hangers and Jack chain. Optional cable kit can be ordered. Consult for single point installation. Not available for surface mount.



ORDERING INFORMATION

HBIP	12L	110W14680L	MV	50K
Series	Size	Wattage and Lumen	Driver	Color Temperature
HBIP DLC Premium LED HighBay	12L 11.80"W x 21.50"L x 2.00"H	110W14680L 110 System Watts, 14680 Delivered Lumens	MV 120V-277V	50K 5000K
	22L 16.00"W x 21.50"L x 2.00"H	165W22000L 165 System Watts, 22000 Delivered Lumens		
	24L 11.8.00"W x 43.0"L x 2.00"H	220W29370L 220 System Watts, 29370 Delivered Lumens		

*Includes Chain Kit (2 x 6Ft for 3Ft drop)

ACCESSORIES



Door Frame
Lens options.

Add Accessories (Add Item No. below to End of HBI Item Number and Add Adder to Price)

ITEM NO.	DESCRIPTION
HBI12DFMW	1x2** High Bay Door Frame Set w/ Matte White Lens
HBI22DFMW	2x2** High Bay Door Frame Set w/ Matte White Lens
HBI24DFMW	2x4** High Bay Door Frame Set w/ Matte White Lens
HBI12WG	1x2 Wire Guard White
HBI22WG	2x2 Wire Guard White
HBI24WG	2x4 Wire Guard White
HBIFMK	Flush Mounting Kit 6"L x 2"W x 0.8"H
HBIIPDMK	Pendant Mounting Kit 3.4"L x 2.3"W x 2"H

Texas Fluorescents

2055 Luna Rd. Suite 142 Carrollton, TX 75006

Phone: 972-247-3171 Fax: 972-247-0200

www.texasfluorescents.com Email: sales@texasfluorescents.com

Catalog Number:

Notes:

Lens Installation Instructions

fig. 1

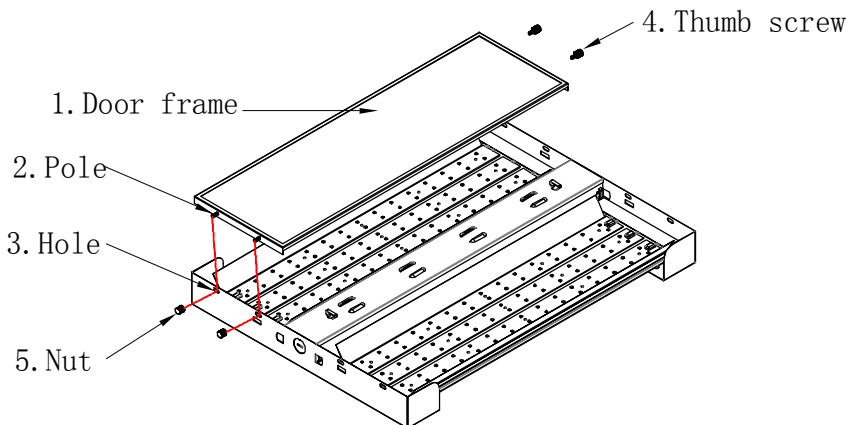
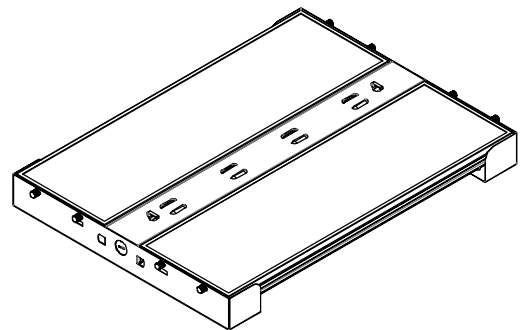


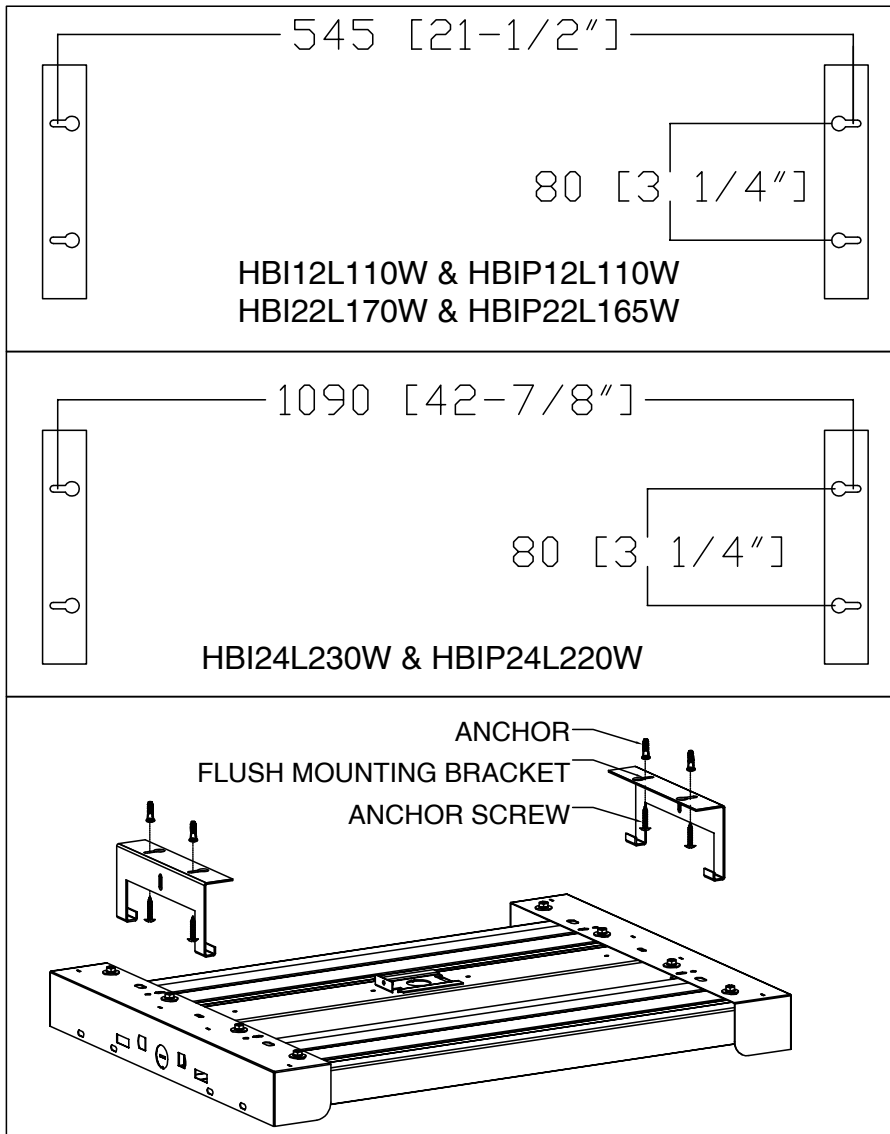
fig. 2



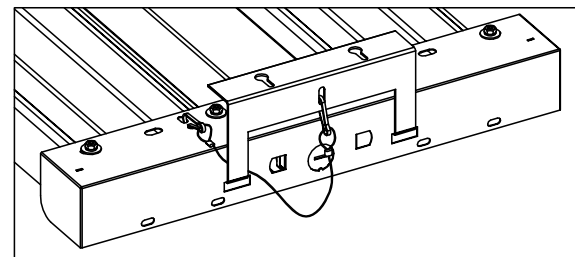
Installation Steps:

1. Take out the door frame (1), put the poles (2) through the holes (3), secure it to the fixture body with thumb screw (4) and nuts (5)
2. The same way to install the other door frame. See fig. 2 when the installation is completed.

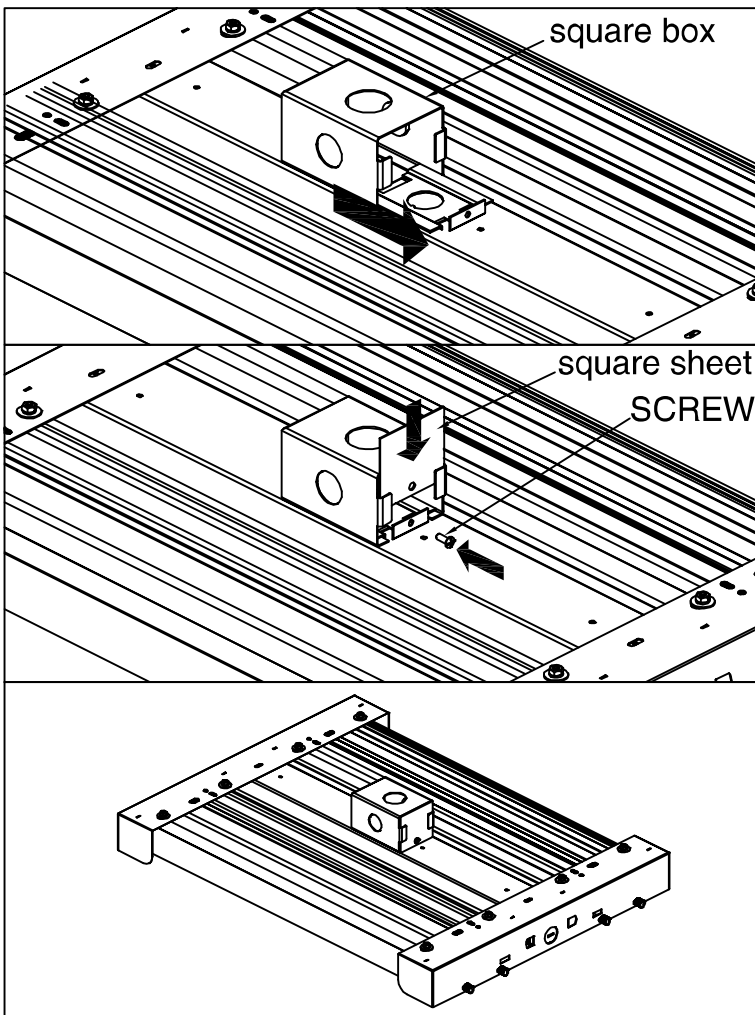
Installation of Flush Mount Kit for LED High bay



1. Mark the location of four holes on the ceiling according to diagram on the top left. Be sure to mark only the narrow parts of the flush mounting bracket. Drill the four holes using the appropriately sized drill bit. Insert the provided anchors into the holes.
2. Feed the anchor screws through the narrow part of the drill-holes. Tighten the anchor screws into the anchors until the mounting bracket sits flush with the ceiling.
3. Attach the high bay body onto the hooks of the flush mounting bracket, then secure it further using the cable provided (as shown in the picture below).



Installation of Pendant Mount Kit for LED High bay



1. Slip the square box into the wiring cover on the back of the high bay body.
2. Slip the square sheet into the square box from the top, make sure the square sheet is outside of the wiring cover. Then tighten them with screw.