

F601AL2GU24

6" IC Air Tight New Construction
CFL Housing

FEATURES & SPECIFICATIONS

CONSTRUCTION:

Aluminum housing can be adjusted to accommodate a maximum ceiling thickness of 1 3/4". Galvanized steel plaster frame. Meets Washington State energy code for restricted air flow requirements.

SOCKET BRACKET

A socket bracket adjusts inside for different position of socket.

THERMAL PROTECTOR

This luminaire is equipped with UL recognized thermal protector, thermally protected against improper lamping

BAR HANGERS

Bar Hangers are designed to fit T-bar spine without additional clamps for use in drop ceiling. Supplied with captive nails pre-installed on bar hangers and adjustable from 14" to 24".

JUNCTION BOX

Listed for through branch circuit wiring (4 in, 4 out) galvanized steel with (5) 1/2" knockouts and snap on covers. The lead wires are #18AWG wires and ground wire supplied with quick connectors.

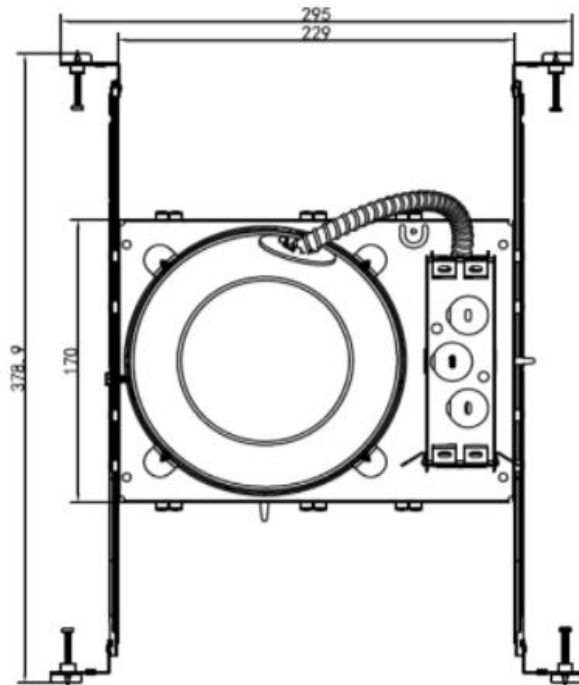
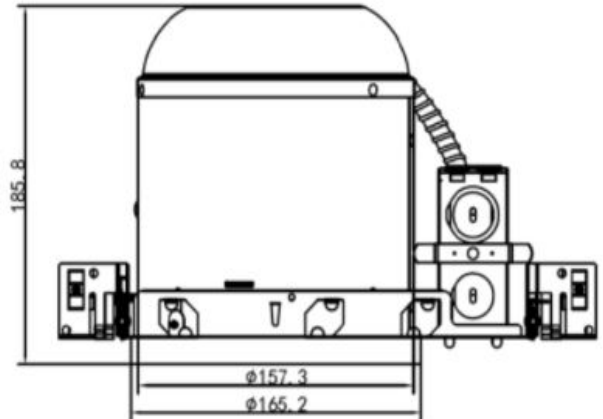
LAMP WATTS AND TYPE

Input voltage: 120VAC 60Hz
(1) 23W Max. GU24 self-ballasted spiral CFL



LISTING

IC rated for direct contact with insulation
cETL listed for damp location



TRIMS



F614
Shower trim, Fresnel Lens
Lamp Max. 18W
O.D.: 8"



F638C
Clear Reflector
Lamp Max. 23W
O.D.: 8"



F617
Shower trim, Albalite Lens
Lamp Max. 18W
O.D.: 8"



F628
Baffle trim, Black, White
Lamp Max. 23W
O.D.: 8"

Texas Fluorescents

2055 Luna Rd Suite 142 Carrollton TX 75006
Phone: 972-247-3171 Fax: 972-247-0200
www.texasfluorescents.com email: sales@texasfluorescents.com

Catalog Number:

Notes:

REV. 08/09/2017