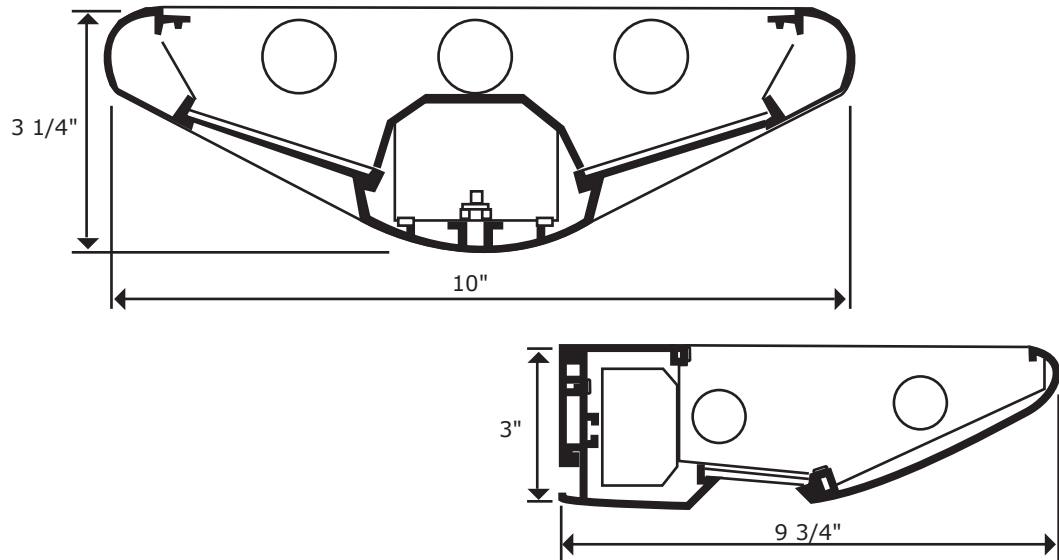


## Direct/Indirect Fixture Series E0395-DI



### Application

E0395 and the companion wall mounted fixture combine the best of the indirect light sources with a choice of sophisticated perforated inserts for the downlight component.

## FEATURES & SPECIFICATIONS

### Attributes

All E0395 fixtures have powder coated housings, with precision-formed, high reflectance, enamel reflectors for optimal optic efficiency.

### Construction

Fixture Chassis of extruded aluminum alloy, with .125 nominal wall thickness. Internal construction of 20 gauge, die formed CRS.

### Mounting

Standard Pendant (P) stem is 3/8 IPS, 24" long with 5" Dia. canopy. Canopy to cover 4" junction box. Swivel Pendant with 45 degree Limit (SP). Adjustable length Aircraft Cable (AC) assembly has 48" cable, 5" Dia. Canopy with cord for power locations. Wall Mounted to extruded wall plate (W).

### Diffuser

The standard diffuser is prismatic lens Pattern #12 (P12).

### Electrical

Unless otherwise specified, ballasts are rapid start, class "P" thermally protected, H.P.F., CBM-ETL. Optional ballasts available include: energy saving (ESB), electronic (ELB), dimming (DIM), low temperature (CW). Standard voltage on all fixtures is 120V 60HZ AC, or as specified. Sufficient knockouts are provided on the back for all connections and through wiring.

### Finish

Standard fixtures are polyester powder-coated Matte White. Reflective internal components are finished in high gloss white enamel (Minimum Reflectance Factor 90%). Custom colors are available upon request.

### Listing

Fixtures conform to Underwriters' Laboratories standards for production and are carefully tested prior to packing.

## CALL TO SPECIAL ORDER

**(972) 247-3171**

Factory/Warehouse • 2055 Luna Road • Suite 142 • Carrollton, TX 75006

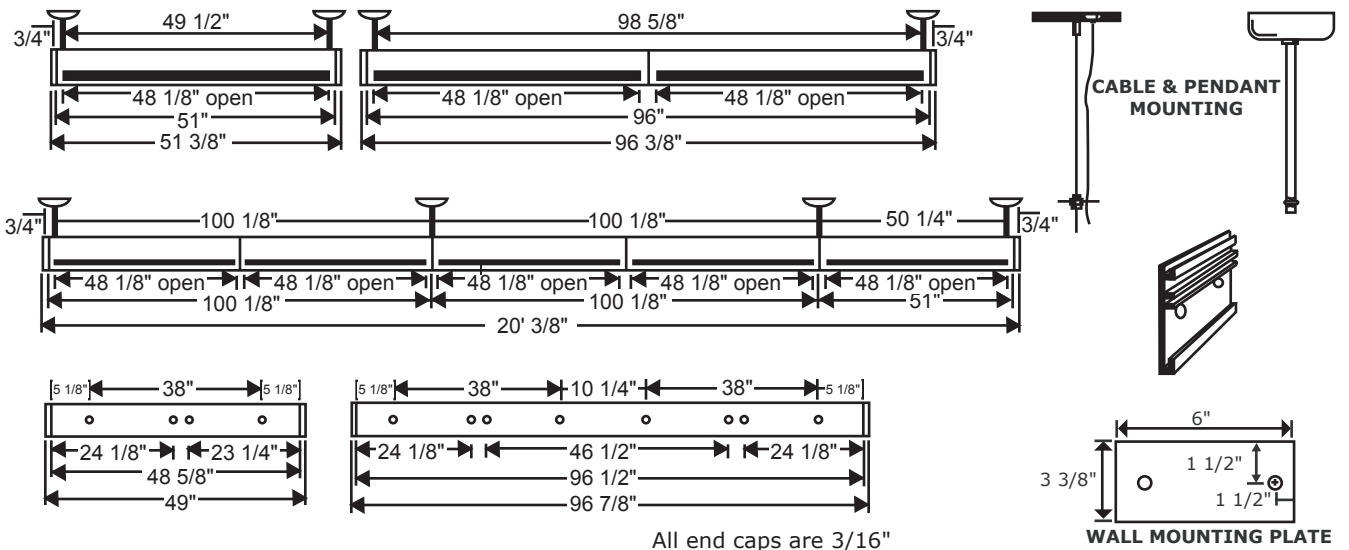
(972) 247-3171 Phone • (972) 247-0200 Fax

Email [sales@texasfluorescents.com](mailto:sales@texasfluorescents.com)

Look For Complete Internet Catalog • [www.texasfluorescents.com](http://www.texasfluorescents.com)

## Direct/Indirect Fixture Series E0395-DI

### DIMENSIONS

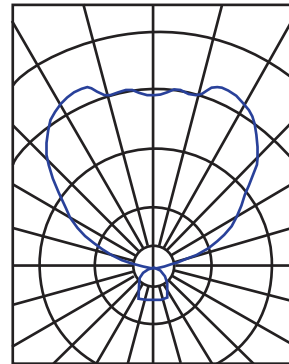


### PHOTOMETRICS

#### Coefficients of Utilization

RCR	RC	.80			.70			.50		
	RW	.70	.50	.30	.70	.50	.30	.50	.30	.10
1		.63	.61	.58	.55	.53	.51	.39	.38	.36
2		.58	.53	.49	.50	.47	.43	.34	.32	.30
3		.53	.47	.42	.46	.41	.37	.30	.28	.26
4		.48	.41	.36	.42	.36	.32	.27	.24	.22
5		.44	.37	.32	.39	.32	.28	.24	.21	.19
6		.41	.33	.28	.36	.29	.25	.22	.19	.17
7		.38	.30	.25	.21	.33	.26	.20	.17	.15
8		.35	.27	.22	.31	.24	.20	.18	.15	.13
9		.32	.25	.20	.28	.22	.18	.16	.13	.11
10		.30	.23	.18	.26	.20	.16	.15	.12	.10

#### Candella Distribution



### ORDERING INFORMATION

Example: E0395-DI-AC-3/OCT-4-P12-WHT-120

Series	Number of Lamps	Length	Color	Diffuser	Options
E0395-DI	1 2 3 4 T2 T4 T6 T8	2 3 4 6 8	WHT - White (standard) CA - Custom	P12 - Standard Ribbed Diffuser PERF - 1/16" offset perforated steel AO - Angled Oval slots REC - Rectangular openings AREC - Angled Rectangular openings	277 - 277 Volt EM - Emergency Ballast DIM - Dimming Ballast GLR - In Line Fusing 2CIR - 2 Circuit Wiring
<b>Mounting</b>	<b>Lamp Type</b>				
P - Pendant SP - Swivel Pendant, 45 degree Limit AC - Adjustable Aircraft Cable W - Wall Mounting	T-5 - 5/8" Diameter OCT - T-8 Octron RS - T-12 Rapid Start BX - Biax PL - Compact twin, triple, or quad tube				

(972) 247-3171

Factory/Warehouse • 2055 Luna Road • Suite 142 • Carrollton, TX 75006

(972) 247-3171 Phone • (972) 247-0200 Fax

Email sales@texasfluorescents.com

Look For Complete Internet Catalog • www.texasfluorescents.com