

## FEATURES & SPECIFICATIONS

### INTENDED USE

With 1, 2 or 3 rows of LED in cross-section, the ability to add a reflector and a clear acrylic #8 pattern lens, this wrap around is suitable for a wide variety of applications. A full wireway allows more uniform light distribution.

### SIZE W x L x H in inches (mm)

8.75W x 48L x 4.40Dp

### MOUNTING

Surface or Suspended

### MATERIALS & FEATURES

Housing is 22 gauge baked white enamel cold rolled steel body and ends. 20 gauge can be supplied. 20 gauge socket bars are standard. Wiring knockouts are provided on back and end of housing. Ballast cover or reflector snaps into place, no tools required for ballast access. Lens is held with left and shift method. Premium, full specular reflectors are available as an option to increase efficiency or modify lighting distribution.

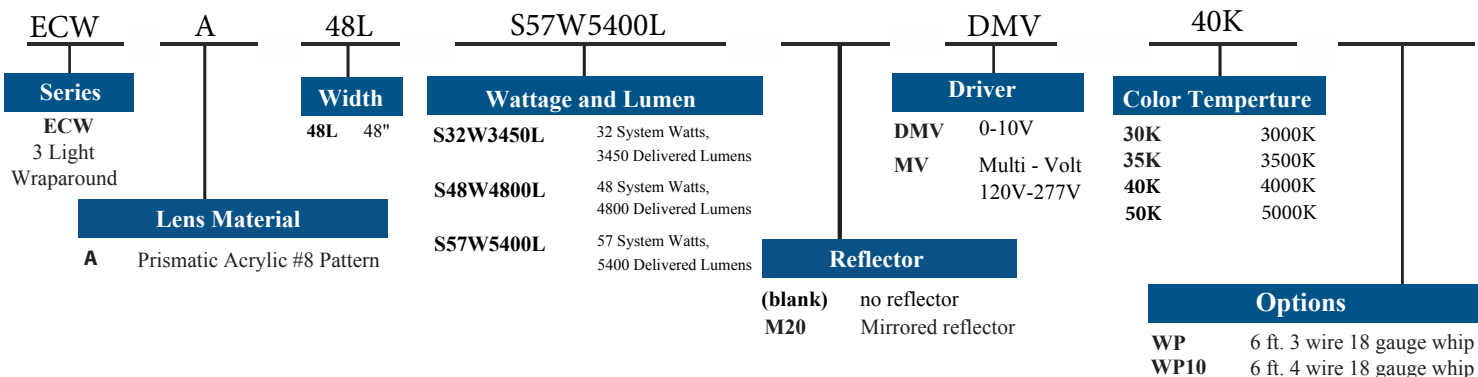
### TYPICAL OPTIONS AND ACCESSORIES

Whips, and reflectors.

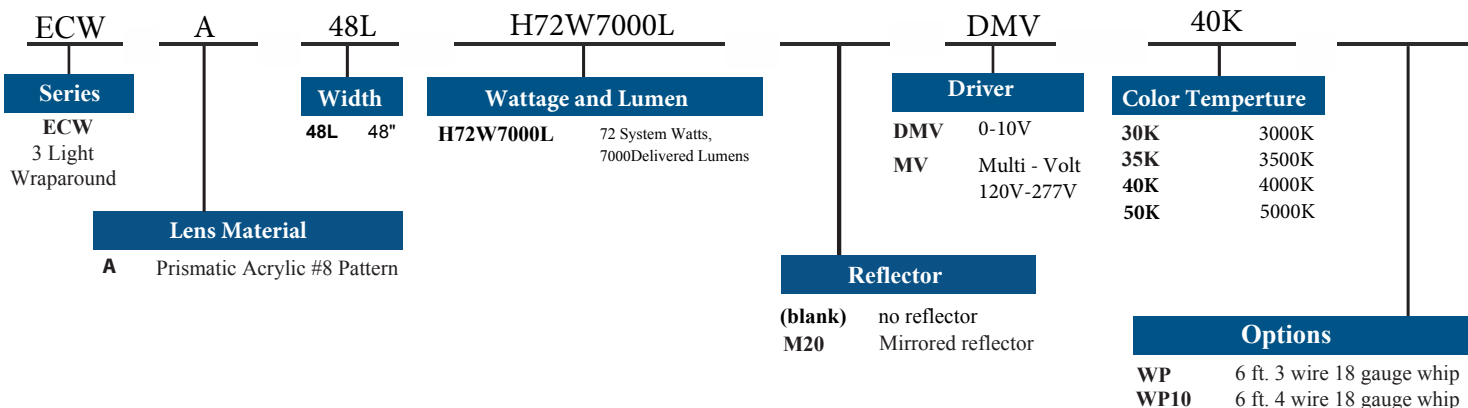
## ORDERING INFORMATION

Example: ECWA48LS57W5400LDMV40K

### STANDARD



### HIGH OUTPUT

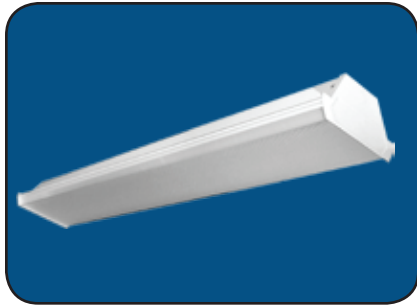


\* Consult FACTORY for more options

Catalog Number:
Notes:

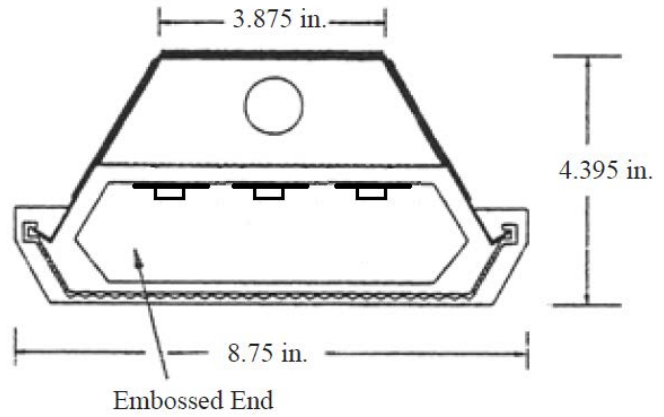
# ECW Series

LED Wraparound



## DIMENSIONS

All dimensions are inches. Specifications subject to change without notice



Catalog Number:
Notes: