

CPY Series

Economy LED Canopy

Applications

- Parking structures, storage areas, shopping area walkways, entryway, and low level security

Features

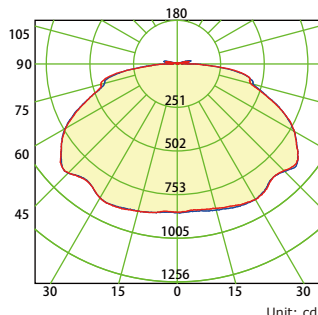
- Sealed die-casting profile for indoor and outdoor applications
- Replacing 100-175W MH
- Lumen output from 4100lm-6700lm
- Polycarbonate optical lens with heat resisting
- Three 1/2" threaded conduit and one 3/4" conduit entry points
- Multiple voltage input is available, support 120-277V/347V.
- Low profile design
- Provide with a motion sensor ideal for parking garage
- UL/cUL listed for wet locations



Photometrics - Transparent Lens

CPY10L45W4200LDMV50K

Luminous Intensity Distribution Curve



Average Diffuse Angle(50%): 149.6°
 — C0-C180 — C90-C270

Illuminance at a Distance

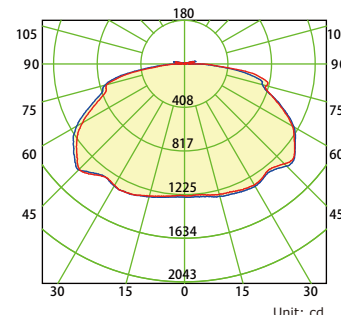
Dist(m)	Enad(ir)(k)	Dh(Dv_B)(m)	S_B(sq.m)	Eav_B(lx)
0.5	3420.31	3.58/3.78	10.7	156.72
1.0	855.08	7.16/7.56	42.7	39.18
1.5	380.03	10.74/11.34	96.1	17.41
2.0	213.77	14.32/15.12	170.9	9.80
2.5	136.81	17.89/18.90	267.0	6.27
3.0	95.01	21.47/22.68	384.5	4.35
3.5	69.80	25.05/26.45	523.3	3.20
4.0	53.44	28.63/30.23	683.5	2.45
4.5	42.23	32.21/34.01	865.0	1.93
5.0	34.20	35.79/37.79	1067.9	1.57

Beam Angle(B): H148.8 V150.4 Field Angle(F): H178.4 V178.5

NOTE: Typical mounting height is 2.5-4.5 meters (8ft to 15ft)

CPY10L65W6600LDMV50K

Luminous Intensity Distribution Curve



Average Diffuse Angle(50%): 156.6°
 — C0-C180 — C90-C270

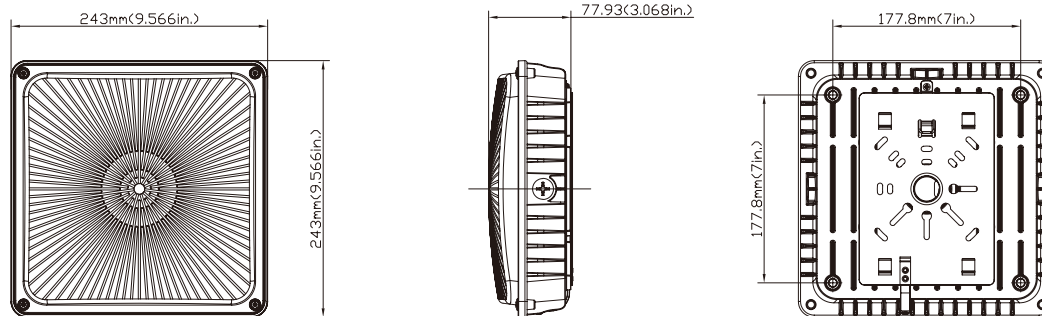
Illuminance at a Distance

Dist(m)	Enad(ir)(k)	Dh(Dv_B)(m)	S_B(sq.m)	Eav_B(lx)
0.5	4997.28	4.71/4.97	20.8	131.82
1.0	1249.32	9.42/9.95	83.3	32.95
1.5	555.25	14.13/14.92	187.4	14.65
2.0	312.33	18.84/19.90	333.1	8.24
2.5	199.89	23.55/24.87	520.5	5.27
3.0	138.81	28.25/29.85	749.5	3.66
3.5	101.99	32.96/34.82	1020.2	2.69
4.0	78.08	37.67/39.80	1332.5	2.06
4.5	61.69	42.38/44.77	1686.5	1.63
5.0	49.97	47.09/49.75	2082.0	1.32

Beam Angle(B): H156.0 V157.3 Field Angle(F): H177.6 V177.2

Dimensions

All dimensions are inches. Specifications subject to change without notice



ORDERING INFORMATION

Example: CPY10L45W4100LDMV50K

Series	Size	Wattage & Lumen	Driver	Kelvin Temperature
CPY LED Low Profile Canopy	10L 10" x 10"	45W4100L 45 System Watts, 4100 Delivered Lumens 65W6500L 65 System Watts, 6500 Delivered Lumens	DMV 120V -277V 0-10V Dimming	50K 5000K

Catalog Number: _____
 Notes: _____