

APPLICATIONS

The CITI Series builds on the engineering feats of the CITA Series to expand the demanding applications that this new high bay enclosure will accommodate. A new heat management system for the ballasts allows 6 light T5HO lamps to operate much cooler than CITA Series and work in higher temperature environments, up to 30 degrees warmer than the CITA can operate. New plastic latch options to hold the lens provides improved maintenance and economy. New mounting options including a new mounting strap and rigid mounting beam enables enhanced mounting options including rigid ceiling mount and dual pendant mount.

FEATURES & BENEFITS

- 5VA (f1) Housing (Patent Pending)
- Utilizes off the shelf 1/2" fittings
- Poured in place gasket helps seal the enclosures from most hostile environments
- Heat Management System (Patent Pending)
- Secure Locking Plastic Latches (Patent Pending)
- Acetal Copolymer (Similar to Celcon® or Delrin®)
- 316 Stainless Steel Latches
- Latches are Captive with Optional Tamper Resistance
- Economical Mounting Options can provide dramatic savings on the installation labor
- V-Hook, Flexible Ceiling Mount, and Rigid Ceiling Mount
- Compatible with Chain, Cable, Dual Pendant Mount provided by others
- 3, 4, 5 and 6 lamp configurations are available for both T5 and T8
- Impact Resistant Diffusers
- Captive Geartray operates from either side
- Optional specular reflectors for high bay applications where focused distribution is required



IP65
Certified

IP66
Certified

IP67
Certified



SPECIFICATIONS

High quality; High Ambient, enclosed fiberglass fixture features a unique continuous poured gasket which completely fills channel for maximum seal integrity. Diffuser is held in place with polycarbonate retaining latches. Stainless steel latches are recommended for the following applications: agriculture, car washes, food processing and swimming pools. Hole is 7/8" diameter and is provided with a plastic plug on one end for conduit attachment. Offset mounting pads which keeps luminaire level and slightly off of mounting surface are formed within the housing. Highly reflective coated interior surface improves efficiency. Standard diffuser is high impact acrylic with textured pattern designed for high efficiency while providing reduced glare. Listed by and bears **UL** label.

ORDERING DATA

EXAMPLE: CITI654M23MV

CITI	6	54	M23	MV					
Series	Nbr. of Lamps <small>(per cross section)</small>	Lamp Type		Reflector		Voltage	Options ^{1, 2, 3, 4}	Accessories	
CITI Premium High Ambient Vaportight	3 4 5 6	28 32 48T8HO 54	46" T5HO 48" T8 48" T8HO 46" T5HO	Blank M23	No Reflector Mirror Reflector	MV 120 277 PMV	Multi-Volt 120 Volt 277 Volt Program Start Multi-Volt	See Options Page	See Accessories Page

Notes

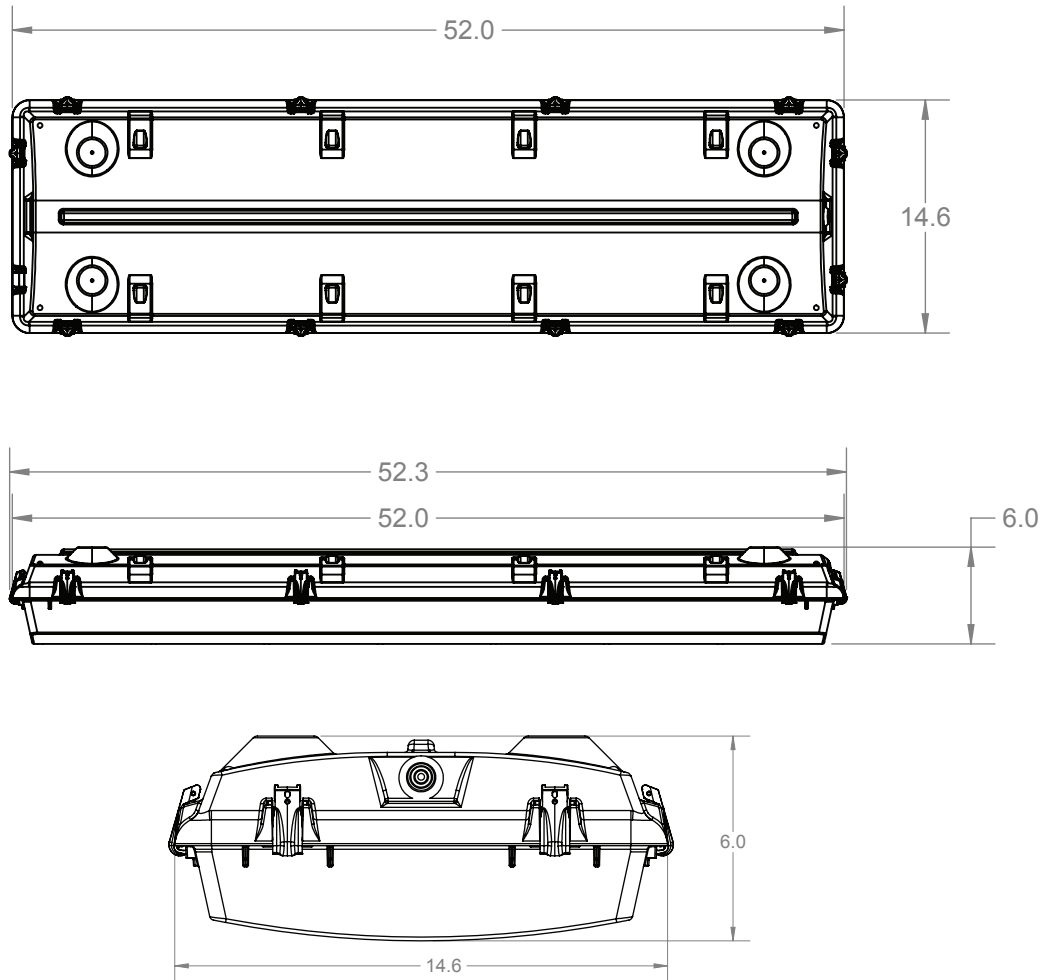
- 1) Mounting brackets and accessories sold separately.
- 2) Battery Backup (#) if ordering separately.
- 3) Lamps sold and shipped on the side.
- 4) Call for additional options.

Dimensions and specifications subject to change without notice.



Catalog Number:
Notes:

DIMENSIONS



OPTIONS & ACCESSORIES

- | | | |
|---------------------------|----------------------------------------------------------------|-----------------------------------------|
| V Advance Ballast | EM T8/T5 1L 500 Lumens Battery Backup (B11) | 11 Dual Ballasts 1 Lamp + 1 Lamp |
| Z GE Ballast | EM7 T8/T5 1L/2L 700 Lumens Battery Backup (B48) | 21 Dual Ballasts 2 Lamp + 1 Lamp |
| Q Lutron | EM14 T8/T5 1L/2L 1400 Lumens Battery Backup (B223) | 22 Dual Ballasts 2 Lamp + 2 Lamp |
| Y Sylvania Ballast | EMT5-500ACTD T5HO 1L 500 Lumens Battery Backup (B625) | 31 Dual Ballasts 3 Lamp + 1 Lamp |
| F Universal | EMT5-800ACTD T5HO 1L 800 Lumens Battery Backup (B585) | PC Polycarbonate Lens |
| | EMT5-1300ACTD T5HO 1L 1300 Lumens Battery Backup (B626) | SL Stainless Steel Latches |



Stainless steel latch kit
2 Ft. & 4 Ft - **SL**
8 Ft. - **SL**



Replacement clear polycarbonate latch kit
2 Ft. & 4 Ft. - **H123**
8 Ft. - **H124**

Catalog Number:
Notes: