



# F601AL-26E-1332 • FLUORESCENT 6" FLUORESCENT HOUSING

## PROJECT INFORMATION

Type .....

Project .....

Catalog # .....

Lamp/Wattage .....

Notes .....

## HOUSING

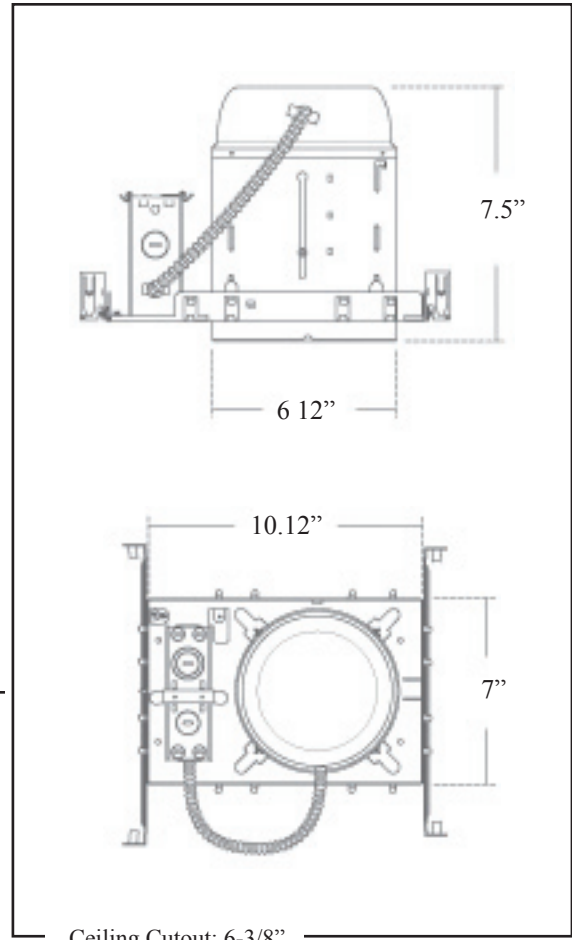
**Socket Plate** • Galvanized steel socket plate supports a G24q-3 4 pin socket and adjusts inside housing for optimum light performance.

**Housing** • Socket Plate • .041 steel housing adjust to maximum ceiling thickness 1 3/4" (45 mm). High quality galvanized steel plaster frame.

**Junction Box** • Galvanized steel with five 1/2 and two 3/4" knock-outs and four true romex pryouts. Strain clamps and ground wire.

**Electronic Ballast** • 26W 120V 60 Hz Class P equipped with inherent thermal protection. Noise and flicker free operation.

**Mounting** • Supplied with two nail-less bar hangers adjustable from 14 to 24" with 90 degree repositioning feature.



## TRIMS

F638C-Clear



## Ordering Information

Item Number	Description
F601AL-26E	IC Airtight 90W Max 120v
F601AL-2e-1332	IC Airtight 32w Max Multi-Volt

**Aperture: Nominal 6"**  
**Ceiling Cutout: 6-3/8"**  
**Maximum Ceiling Thickness: 1-3/4"**  
**Maximum Wattage: CFQ/32W**

## Codes

Rated for direct contact with insulation  
 WSEC approved housing for restricted airflow  
 UL listed for through branch circuit wiring  
 UL listed for damp locations

Texas Fluorescents  
 2055 Luna Rd. Suite 142 Carrollton, TX 75006  
 Phone: 972-247-3171 Fax: 972-247-0200  
 www.texasfluorescents.com email: sales@texasfluorescents.com

Catalog Number: \_\_\_\_\_

Notes: \_\_\_\_\_

For insulated ceilings and direct contact with insulation