

BKR/BKS Series

Wall Mount, 1 Lamp
Rounded or Squared

FEATURES & SPECIFICATIONS

INTENDED USE

The BKR/BKS is a specification grade wall mount for the bath, stairwells, office, and "over the bed" applications, and is distinguished by excellent lighting distribution and craftsmanship. The rounded front plane provides aesthetic appeal.

SIZE W x L x H in inches

4.2"H x 2.6"W

Available in 18, 24, 36, and 48 in lengths

LAMP

1 Lamp Position

MOUNTING

Direct Wall Mount

MATERIALS & FEATURES

Housing is die-formed and embossed code 22 gauge steel. Standard finish is high reflectance baked white enamel; chrome ends are available as an option. Wiring knockouts are provided on back of housing. Lens is fully captured by end plate. End cap held in place with acorn nut.

- Standard high reflectance white finish with ribbed white acrylic lens
- White body with white or chrome ends
- Options include prismatic lens, special ballast, pull chain switches, and convenience outlets.



TYPICAL OPTIONS & ACCESSORIES

Custom finishes, pull chains, convenience outlets, and Emergency ballast.

LISTING

Fixture & Ballast: UL Listed

Ballast, Thermally protected, class P, HPF, Non PCB

ORDERING INFORMATION

Example **BKRA132MVCH**

BKR		A		1		32		MV		CH	
Series		Lens Material		Lamp Count		Lamp Type		Ballast & Voltage		Finish	
BKR Lensed Wall mount Rounded		A Ribbed white acrylic		1 (Lamps not included)		15 18 in T8 17 24 in T8 25 36 in T8 32 48 in T8		E120 Electronic, 120V E277 Electronic, 277V MV Electronic, Multivolt (120-277)		Blank White Ends CH Chrome finish ends	
BKS Lensed Wall mount Squared								SW2 and GCO options available for 120V models only.			
Options [1]											
SW2		Pull chain, 2 way switching (Use with single ballasts)									
GCO		Grounded convenience outlet (North American 3 Prong)									
EM		Emergency ballast, 500 lumens									

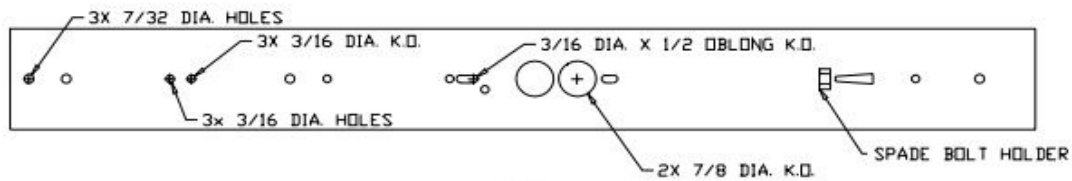
BKR/BKS Series

Wall Mount, 1 Lamp
Rounded or Squared

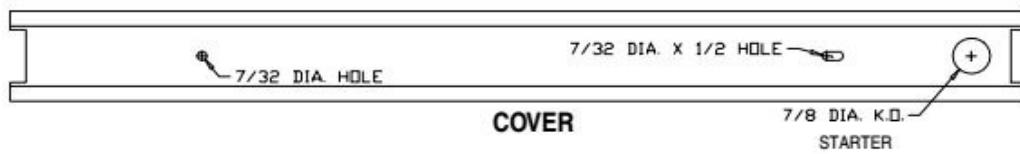


DIMENSIONS

All dimensions are inches (millimeters). Specifications subject to change without notice.

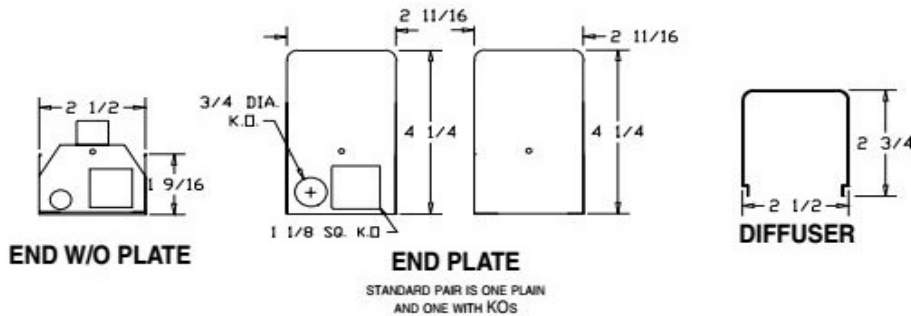


**TOP
W/O DIFFUSER**



COVER

Square



Round

