

Architectural Vandal-Proof

Outdoor Wall Fixtures



AVPRC



AVPRE



AVPHOE



AVPOC



AVPOE

FEATURES

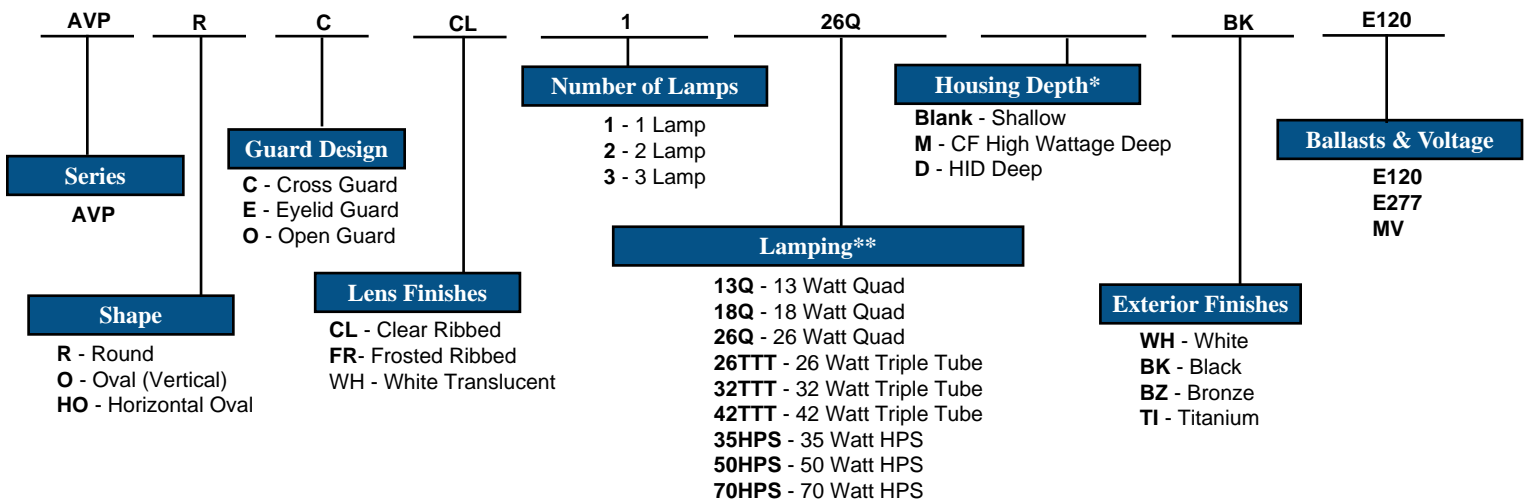
- **Tamper Proof Fasteners**
- **Extruded Rubber Lens Gasket.** Keeps moisture, dirt, and insects from penetrating the interior of the fixture.
- **Lens Retaining Clips and Screws.** Provides a single lens/outer guard unit which eases installations and relamping procedures.
- **Weep Holes.** Allow rain and liquids coming in contact with the face of the fixture to drain out from the front of the fixture, and reduce accumulation of dirt and moisture on the face of the installed fixture.
- **Level Bar and “Top” Indicator.** Ensures that the fixture housing is secured in a level position.
- **Ribbed Injection Molded Lens.** Internally ribbed injection molded polycarbonate lens and slightly textured exterior of lens reduces glare.

DESCRIPTION

Architecturally styled, ruggedly constructed, vandal resistant wall mount fixtures are suitable for indoor/outdoor. Quality die-cast aluminum backplates, injection-molded polycarbonate lens and guards, and tamper proof screws and gasketing provides spec-grade engineered quality but at more economical price points.

ORDERING INFORMATION

Example: AVPRCCL126QBKE120



Architectural Vandal-Proof

Outdoor Wall Fixtures



AVPRC



AVPRE



AVPHOE



AVPOC



AVPOE

DIMENSIONS

All dimensions are inches. Specifications subject to change without notice.

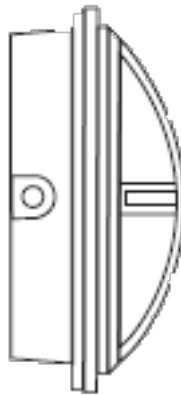
Dimensions:

Round - 13.18" Diameter

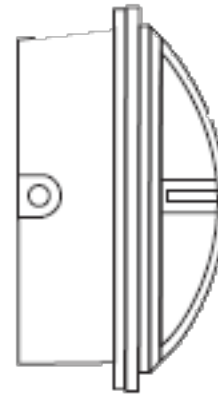
Oval - 9.18" x 13.06"



Shallow - 3.75" to 4.0"
(Blank)



CF High Wattage - 6.21" to 6.46"
(H)



HID Deep - 7.56" to 7.89"
(D)

*Consult factory for Housing Depth required based on lamping.

**Consult factory for more options.

Catalog Number:
Notes:



TEXAS FLUORESCENTS

suggested lamp compatibility

Shape	Round			Oval		
	Shallow	CFL HW	Deep	Shallow	CFL HW	Deep
13 watt triple tube	•	•		•	•	
2/13 watt triple tube	•	•		•	•	
13 watt quad	•	•		•	•	
2/13 watt quad	•	•				
3/13 watt quad		•				
18 watt quad	•	•		•	•	
2/18 watt quad	•	•				
3/18 watt quad		•				
26 watt quad	•	•		•	•	
2/26 watt quad	•	•				
3/26 watt quad		•				
26 watt triple tube	•	•		•	•	
2/26 watt triple tube	•	•				
3/26 watt triple tube		•				
32 watt triple tube	•	•		•	•	
2/32 watt triple tube		•				
42 watt triple tube	•	•			•	
2/42 watt triple tube		•				
57 watt triple tube		•				
35 HPS			•			•
50 HPS			•			•
70 HPS			•			
100 HPS			•			
35 MH			•			•
50 MH			•			•
70 MH			•			
100 MH			•			

The above wattage suggestions must be tested and confirmed by each fixture original equipment manufacturer. RLR Industries, Inc. does not imply any guarantee of performance of said wattage packages listed above, or guarantee of acceptance by Underwriters Laboratories, CSA International, or any other testing laboratory. Obtaining such listings is solely the responsibility of the original equipment manufacturer.

Dimensions and Specifications contained in this brochure are subject to change without notice.

Colors illustrated in this brochure are computer rendered representations. True color representation should be confirmed via a sample order.