

FEATURES & SPECIFICATIONS

INTENDED USE

A linear 6x6 wall mounted fixture for distinctive architectural lighting plans. Ideal for corridors, lobbies and office areas, 6x6 fixtures can be installed individually or in group patterns.

HOUSING

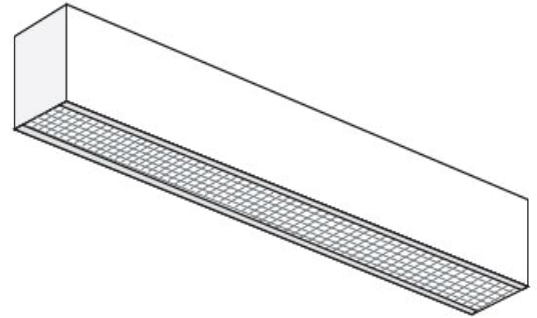
Die-formed and welded 20 gauge cold rolled steel. Knockouts on ends allow continuous wireway mounting. A 1/2" regressed flange at the bottom insures uniformity and rigidity. Direct-Indirect fixtures have a 3" opening along the length of the fixture to provide an upward component of between 35%-50% ceiling and wall illumination.

DIFFUSERS (not included)

Fixture accepts various lenses or louvers.

MOUNTING

Fixtures can be mounted flush against the wall or hung with wall brackets measuring 4 1/2" square by 1" deep. Two brackets are used on 2, 3 and 4 foot fixtures and 2 or 3 brackets for 6 and 8 foot fixtures as required.



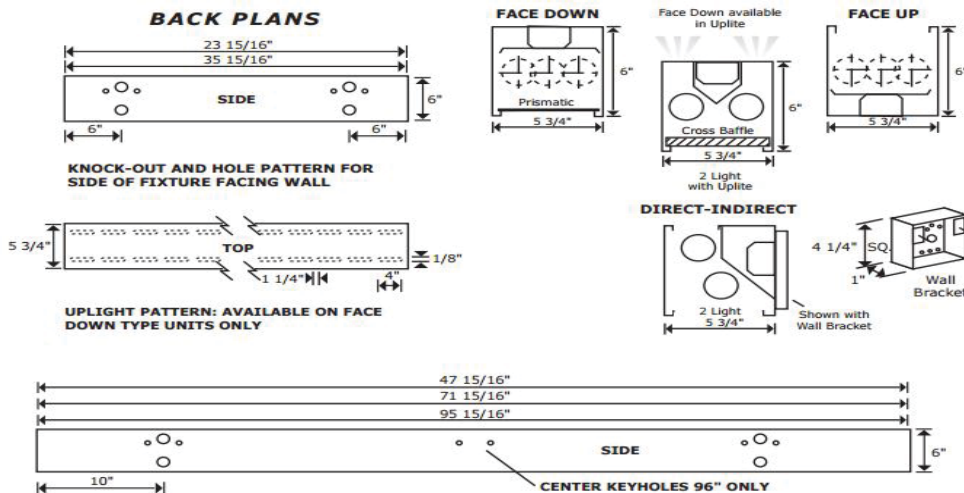
LISTING

Fixtures conform to Underwriters' Laboratories standards for production and are carefully tested prior to packing

ORDERING INFORMATION

66		W		MW		232		MV		WH		Example: 66WMW232MVWH	
Series	Type	Lens Material		Ballast & Voltage		Finish		Options					
66	W	A	Prismatic Acrylic #12 Pattern	MV	Electronic Multivolt (120-277V)	Blank	For Recessed	EM	Emergency Ballast 500 Lumens				
6x6 Wall Mount	WDI	MW	Matte White Acrylic	HM	Electronic Multivolt Hi-Lume	WH	Matte White	EM1	Emergency Ballast 1400 Lumens				
	WU	BL	Baffled Louver	LMV	Electronic Multivolt Lo-Lume	BM	Matte Black	M35	Asymmetrical reflector for wall wash				
		SP1	Specular Parabolic Louver 1/2" x 1/2" x 3.8"	S	Residential 120V Ballast	BZ	Bronze						
				PMV	Program Start (120-277)								
				X1	For Single Ended LED Lamps								
				X2	For Double Ended LED Lamps								

Lamp#	Lamp Type	Tandem Code
1, 2	17 24" T8	
1, 2	25 36" T8	6 6ft. Tandem (Double Lamp Cnt)
1, 2	32 48" T8	8 8ft. Tandem (Double Lamp Cnt)
1, 2	14 24" T5	
1, 2	21 36" T5	6 6ft. Tandem (Double Lamp Cnt)
1, 2	28 48" T8	8 8ft. Tandem (Double Lamp Cnt)
1, 2	24 24" T5HO	
1, 2	39 36" T5HO	6 6ft. Tandem (Double Lamp Cnt)
1, 2	54 48" T5HO	8 8ft. Tandem (Double Lamp Cnt)



Catalog Number:
Notes: