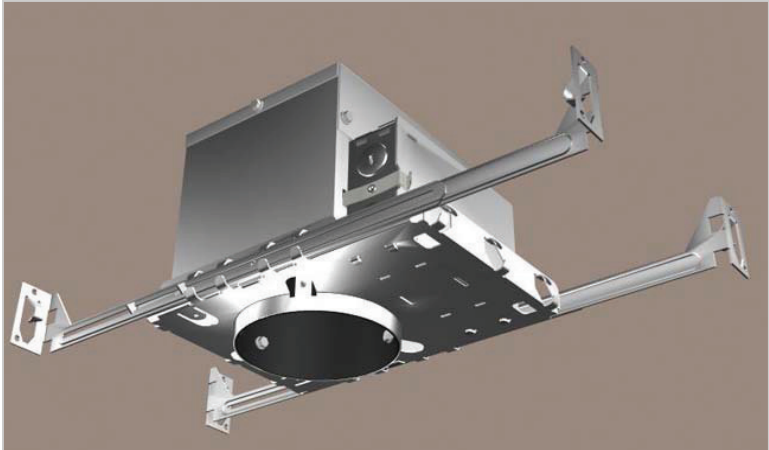


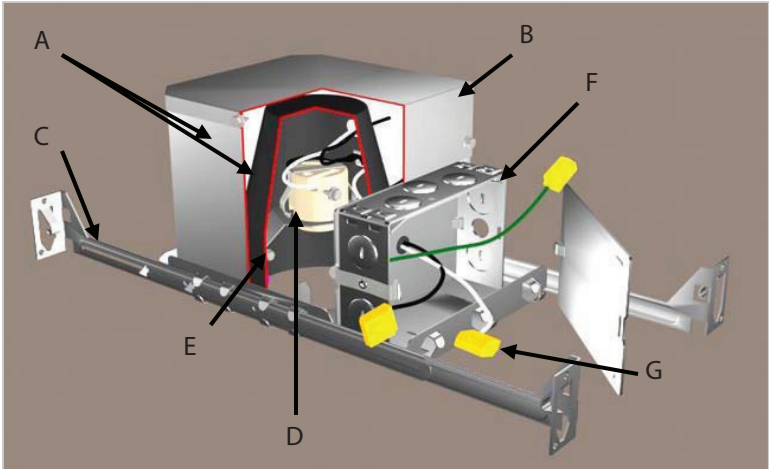
STANDARD FEATURES

- A. Double wall aluminum construction for greater heat dissipation.
- B. Fully gasketed energy efficient airtight design prevents air flow from air conditioned or heated spaces.
- C. Supplied with two bar hangers with pre-installed captive nails for fast installation. Adjustable from 12" to 24".
- D. Adjustable socket plate for precise lamp placement.



ELECTRICAL FEATURES

- E. Integral thermal protector protects against improper installation and lamping. Accepts 50W R/PAR 16/20 Lamps.
- F. Junction box is listed for through branch circuit wiring and has seven 1/2" knockouts and four romex pry-outs with integral strain relief.
- G. Optional push in connectors reduce installation cost.



CODES

Washington State air-tight
UL listed for damp location
UL listed for feed through

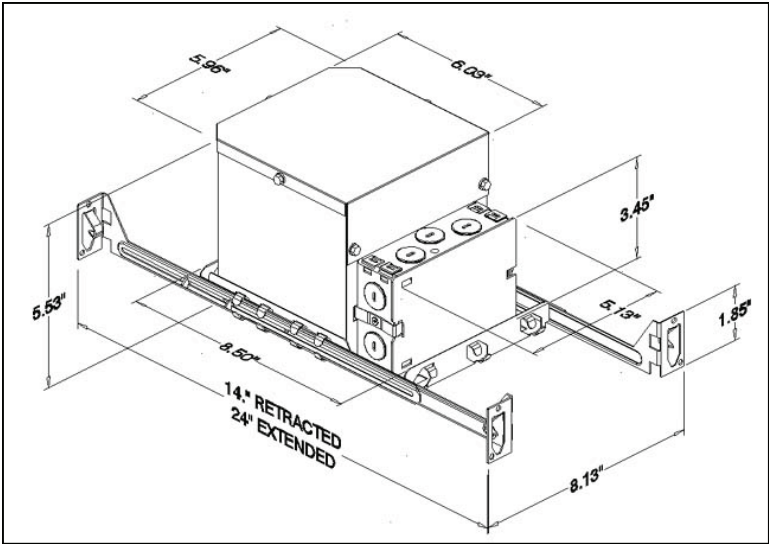
DATE: TYPE:

FIRM NAME:

PROJECT:

TRIM NO.:

LOCATION:



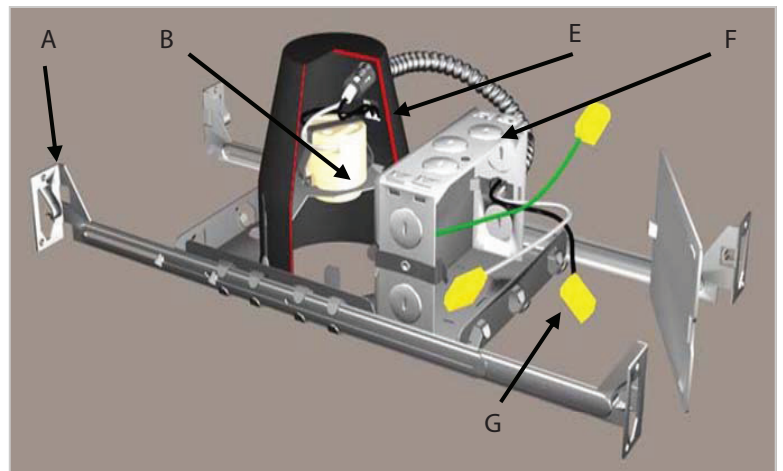
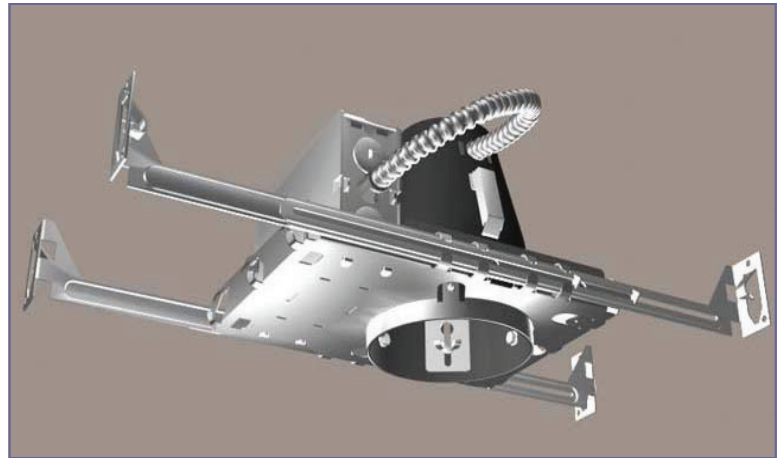


STANDARD FEATURES

- A. Supplied with two bar hangers with pre-installed captive nails for fast installation. Adjustable from 12" to 24".
- B. Adjustable socket plate for precise lamp placement.

ELECTRICAL FEATURES

- E. Integral thermal protector protects against improper installation and lamping. Accepts 50W R/PAR 16/20 Lamps.
- F. Junction box is listed for through branch circuit wiring and has seven 1/2" knockouts and four romex pry-outs with integral strain relief.
- G. Optional push in connectors reduce installation cost.



CODES

UL listed for damp location
UL listed for feed through

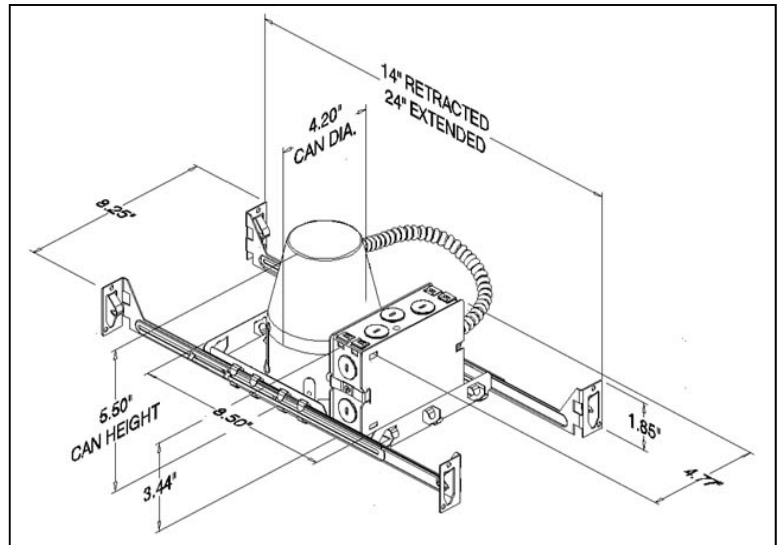
DATE: TYPE:

FIRM NAME:

PROJECT:

TRIM NO.:

LOCATION:



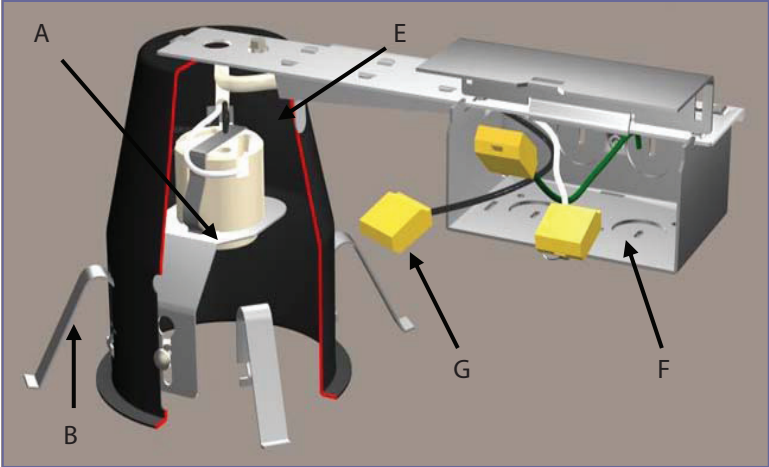
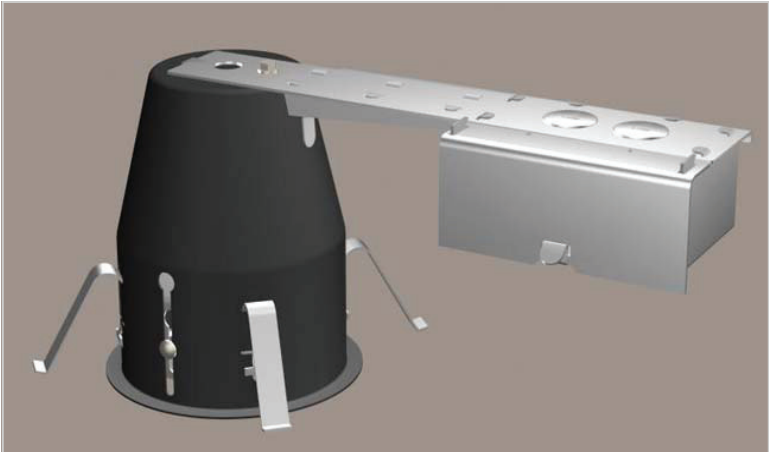
Catalog Number:
F* "%A

STANDARD FEATURES

- A. Adjustable socket plate for precise lamp placement.
- B. Three remodel clips secure housing and accommodate ceiling thickness from 3/8" to 5/8"

ELECTRICAL FEATURES

- E. Integral thermal protector protects against improper installation and lamping. Accepts 50W R/PAR 16/20 Lamps.
- F. Junction box is listed for through branch circuit wiring and has seven 1/2" knock-outs and four romex pry-outs with integral strain relief.
- G. Optional push in connectors reduce installation cost.



CODES

UL listed for damp location
UL listed for feed through

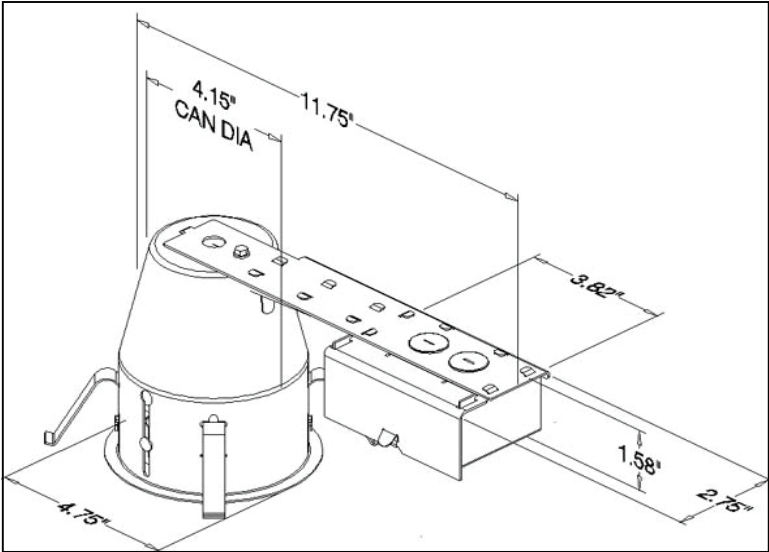
DATE: TYPE:

FIRM NAME:

PROJECT:

TRIM NO.:

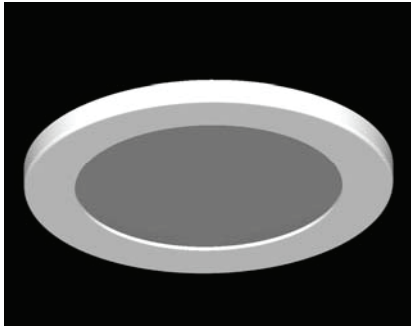
LOCATION:



Catalog Number:
F*.%A



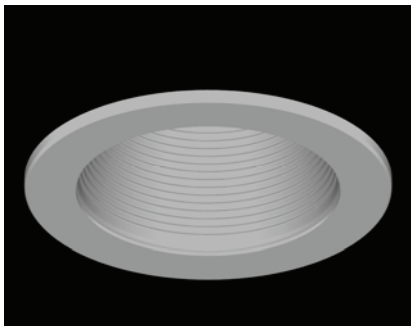
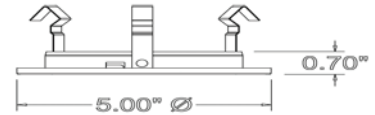
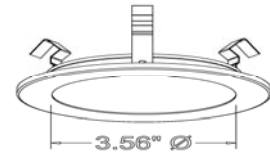
4" INCANDESCENT TRIMS



F525W-White
F525N-Nickel
F525C-Chrome
F525B-Black

Frosted Lens Shower

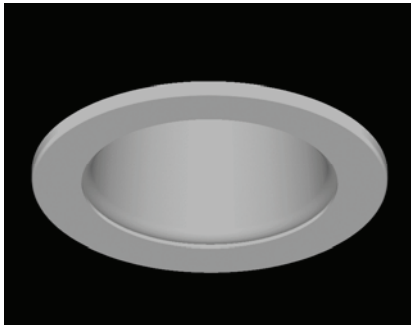
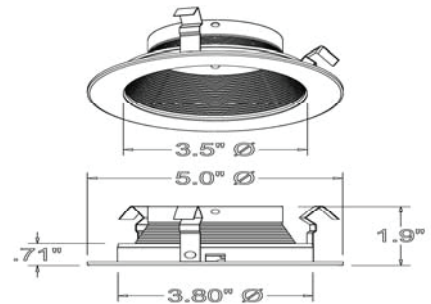
Lamp:
50W R20/PAR20



F527W-White
F527N-Nickel
F527B-Black

Stepped Baffle

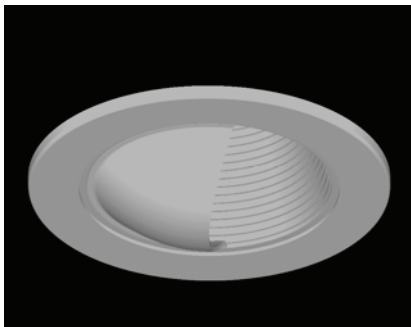
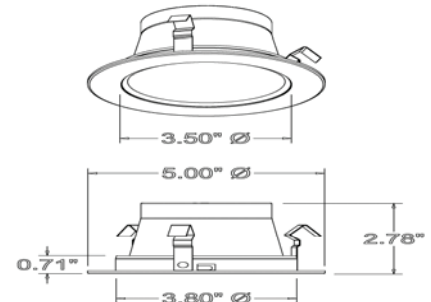
Lamp:
50W R20/PAR20



F531W-White
F531N-Nickel
F531C-Clear
F531B-Black
F531G-Gold

Reflector Cone

Lamp:
50W R20/PAR20
40W A19



F537W-White
F537B-Black

Wall Wash

Lamp:
50W R20/PAR20

